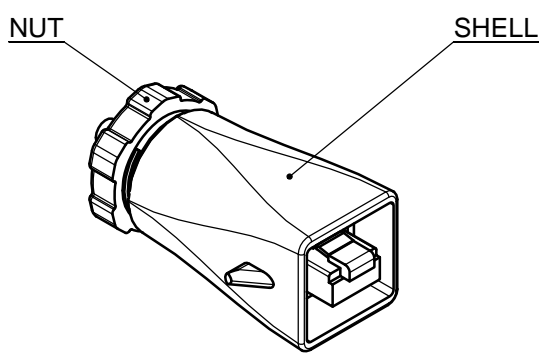
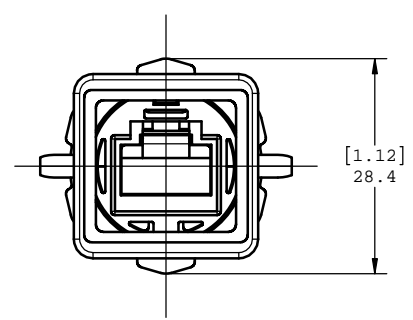
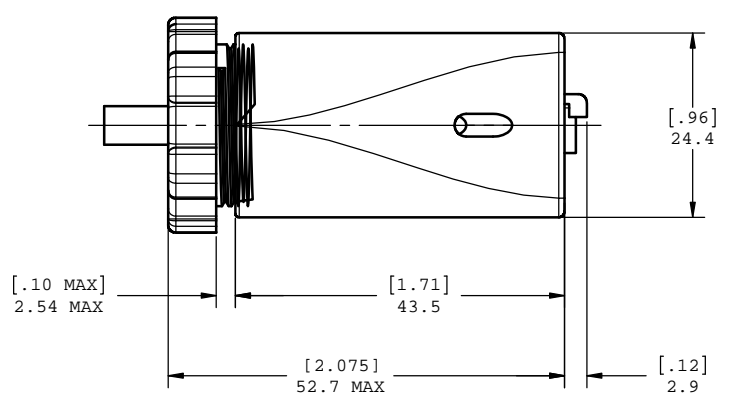
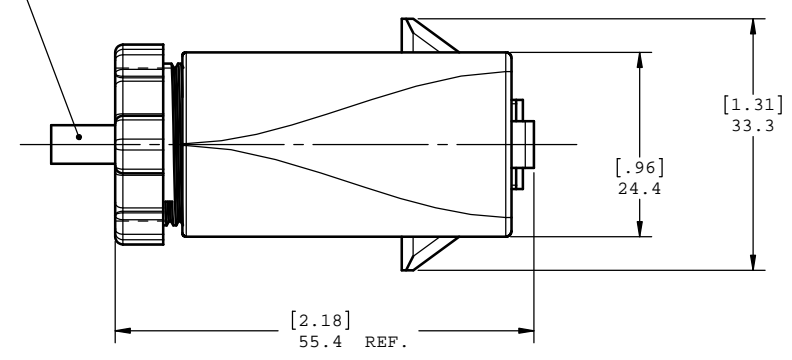


REV - DESCRIPT - DATE - APPRVD

RJ CONNECTOR AND CABLE ARE NOT SUPPLIED



NOTES:

- MATERIAL:
  - SHELL: ZINC ALLOY DIE CAST, 3 MICRONS [120 MICRO"] MIN NICKEL OVERALL.
  - NUT: ZINC ALLOY DIE CAST, 3 MICRONS [120 MICRO"] MIN NICKEL OVERALL.
  - GASKETS: SILICONE RUBBER.
- OPERATING TEMPERATURE: -40°C TO +85°C.
- ENVIROMENT PERFORMANCE: IP67 IN MATED CONDITIONS.
- CONNECTOR IS ROHS COMPLIANT PER EU DIRECTIVE 2002/95/EC AND AMENDMENTS.
- PART NUMBER FOR ORDER IS ID550-000.



UNLESS OTHERWISE SPECIFIED DIMENSIONS ARE IN MILLIMETER TOLERANCES ARE:		APPROVALS	DATE	<b>Amphenol Canada Corp.</b>		
DECIMALS                      ANGLES		DRAWN	FEB16/07			
.XX ±.10	± 1°	S.SEMENOV		TITLE		
.X ±.25		DESIGNED	FEB16/07			
MATERIAL AND FINISH		S.SEMENOV		RJ PLUG		
REF.		CHECKED				
CODE IDENT. NO.		QA APP'D		SIZE	DWG. NO.	REV.
		IE APP'D		C	P-ID550-000	1B
		DWG APP'D	FEB16/07	SCALE	PROJECT	SHEET
		A.GREEN		2:1	ID	1 OF 1