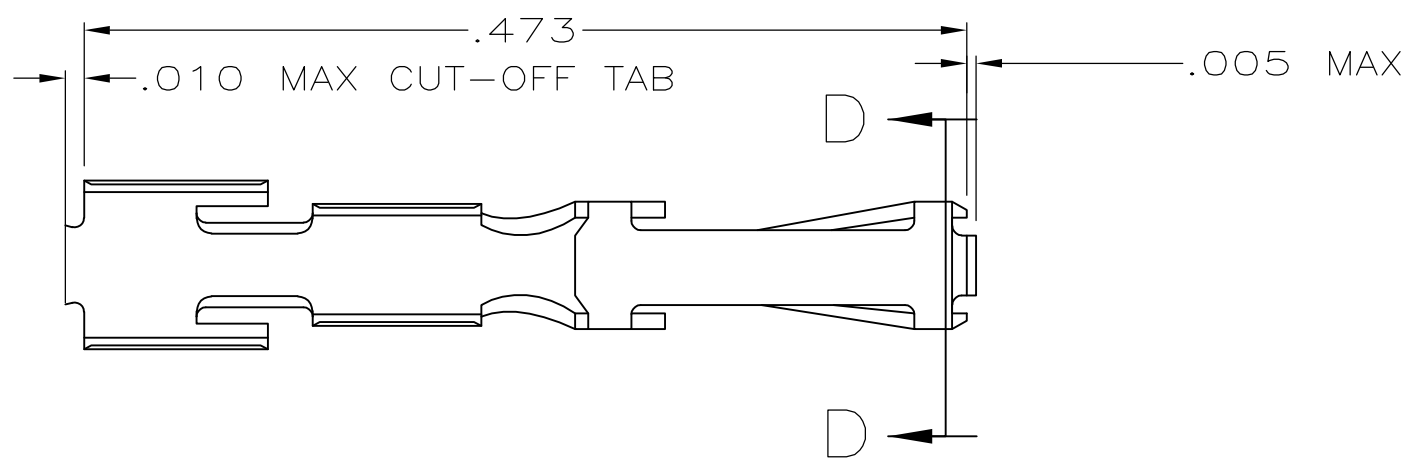


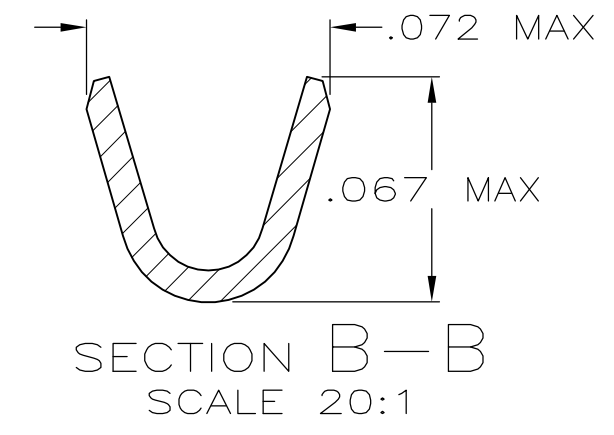
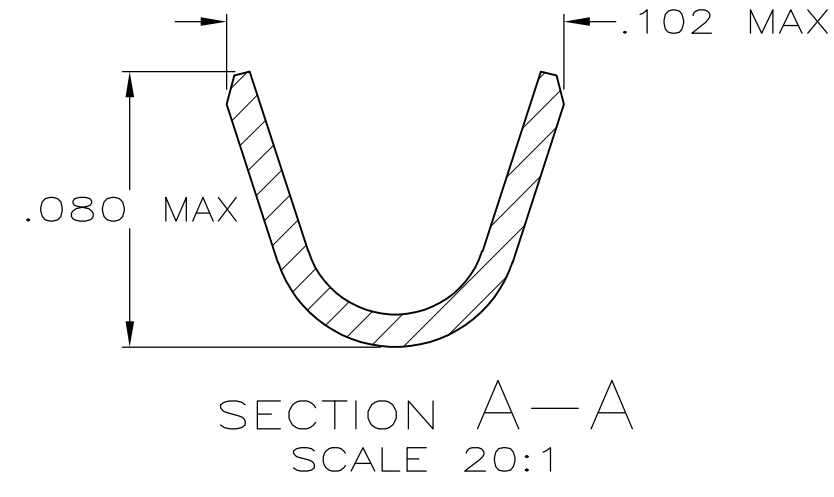
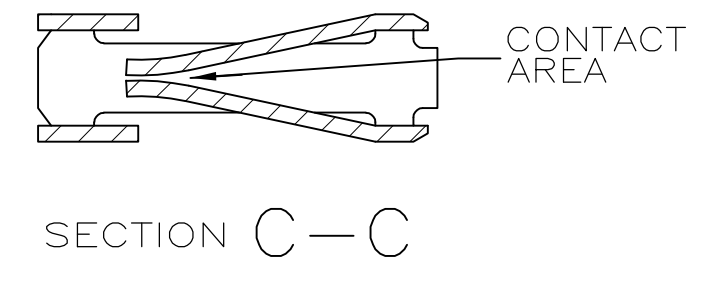
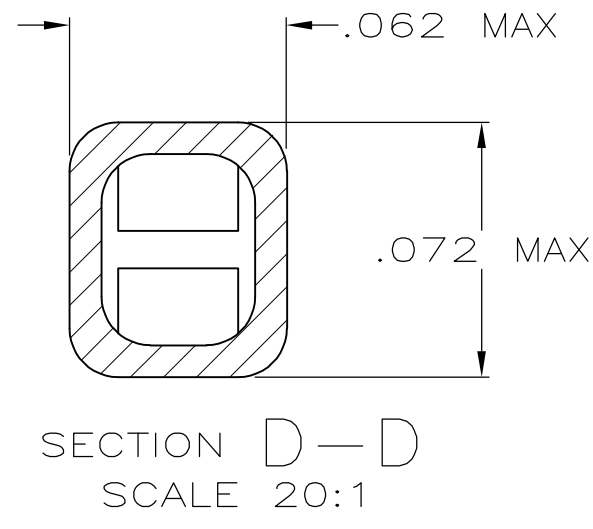
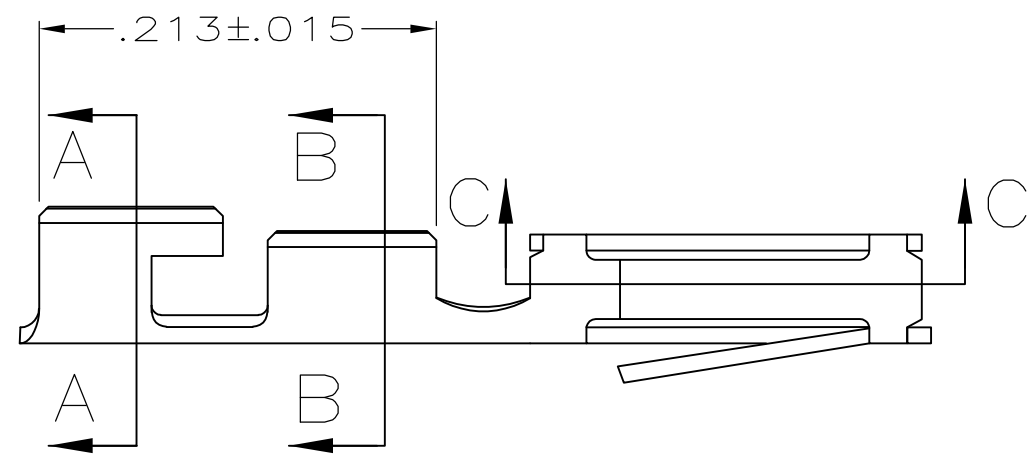
THIS DRAWING IS UNPUBLISHED. RELEASED FOR PUBLICATION
 © COPYRIGHT BY TYCO ELECTRONICS CORPORATION. ALL INTERNATIONAL RIGHTS RESERVED.

LOC	DIST	REVISIONS			
P	LTR	DESCRIPTION	DATE	DWN	APVD
GP	00				
	E	REVISED PER ECO-09-001588	25JUN2009	CJV	CWR



1. FINISH: GOLD FLASH ALL OVER .000015 THK GOLD ON LOCALIZED CONTACT PLATING AREA OVER .000050 MIN THK NICKEL ON ENTIRE CONTACT, -OR- .000050 MIN THK NICKEL UNDERPLATE ON ENTIRE CONTACT, GOLD FLASH OVER PALLADIUM-NICKEL, .000015 MIN TOTAL THK ON LOCALIZED CONTACT PLATING AREA AND GOLD FLASH OVER REMAINDER OF CONTACT.

2. FOR 22-24 AWG WIRE WITH AN INS. RANGE OF .040-.056



1	86655-2	86657-2
FINISH	REELED PART NO.	PART NO.

THIS DRAWING IS A CONTROLLED DOCUMENT.		DWN B. MOYER 6-8-89	Tyco Electronics Corporation Harrisburg, PA 17105-3608	
DIMENSIONS: INCHES		CHK D.L. ROCKER 6-8-89	NAME CONTACT, RCPT., ROUND WIRE, .100CL FFC	
TOLERANCES UNLESS OTHERWISE SPECIFIED:		APVD C.D. MILLER 6-14-89	PRODUCT SPEC 108-9024	
0 PLC ± -		APPLICATION SPEC 114-16003		
1 PLC ± -		SIZE A2	CAGE CODE 00779	DRAWING NO C=86657
2 PLC ± -		RESTRICTED TO -		
3 PLC ± .005		SCALE 10:1		
4 PLC ± -		SHEET 1 of 1		
ANGLES ± -		REV E		
FINISH SEE TABLE		CUSTOMER DRAWING		