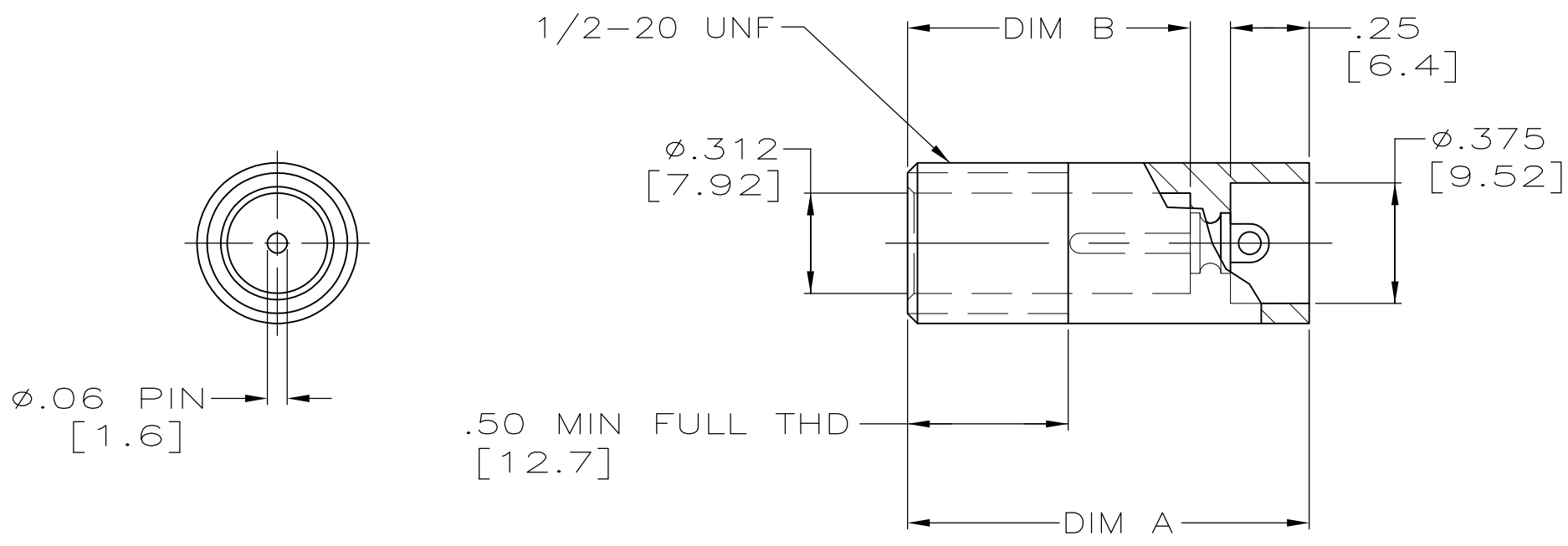

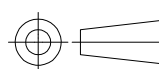


THIS DRAWING IS UNPUBLISHED. RELEASED FOR PUBLICATION - .N/A .
 © COPYRIGHT N/A By - ALL RIGHTS RESERVED.

| LOC | DIST | REVISIONS | | | | | |
|-----|------|-----------|-----|-----------------------|--------|-----|------|
| | | P | LTR | DESCRIPTION | DATE | DWN | APVD |
| - | - | | F | REV PER ECO 12-014181 | 8-3-12 | CT | RG |



| | | | | |
|----------|-------------|-------------|-----------------|------------|
| | .88 [22.4] | 1.25 [31.8] | TIN PLATED | 5-849610-3 |
| | .88 [22.4] | 1.25 [31.8] | GOLD PLATED | 849610-4 |
| | .88 [22.4] | 1.25 [31.8] | TIN-LEAD PLATED | 849610-3 |
| OBSOLETE | 1.12 [28.4] | 1.50 [38.1] | GOLD PLATED | 849610-2 |
| OBSOLETE | 1.12 [28.4] | 1.50 [38.1] | TIN-LEAD PLATED | 849610-1 |
| | DIM B | DIM A | CONTACT PLATING | PART NO. |

| | | | | |
|---|--|-----------------------------------|---|-----------------------|
| THIS DRAWING IS A CONTROLLED DOCUMENT. | | DWN C.C.THOMAS 05-MAY-97 |  TE Connectivity | |
| DIMENSIONS: INCHES  | | CHK S.GLATFELTER 16-JUL-97 | | |
| TOLERANCES UNLESS OTHERWISE SPECIFIED: 0 PLC ± - 1 PLC ± - 2 PLC ± .02[0.5] 3 PLC ± .005[0.13] 4 PLC ± - ANGLES ± - | | APVD S.GLATFELTER 16-JUL-97 | NAME RECEPTACLE LGH-1 WITH RECESSED TERMINAL | |
| MATERIAL MOLDED GLASS EPOXY COLOR: BLACK | | FINISH - | PRODUCT SPEC - | APPLICATION SPEC - |
| | | WEIGHT - | SIZE A3 | CAGE CODE 00779 |
| | | CUSTOMER DRAWING | DRAWING NO C-849610 | RESTRICTED TO - |
| | | | SCALE 2:1 | SHEET 1 OF 1 |
| | | | | REV F |