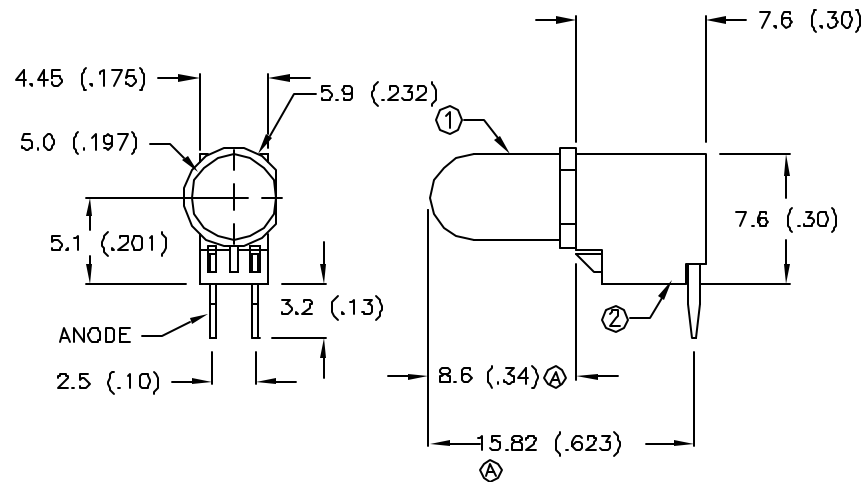


DATE	REVISIONS	REV
7-5-95	UPDATED SPECS. & DIM WHERE NOTED./	A

DRAWING NUMBER	REV
SSF-LXH4RA5ID-5V	A



NOTES:

1. SSL-LX5093ID-5V LED.
2. IFS-LX4FRA-1 LAMP SOCKET.
3. CUT LED LEADS 5mm LONG.
4. ASSEMBLE IN SOCKET, POLARITY AS SHOWN.

ELECTRO-OPTICAL CHARACTERISTICS TA=25 °C If=20mA

PARAMETER	MIN	TYP	MAX	UNITS	TEST COND
PEAK WAVELENGTH		635 {RED}		nm	
FORWARD VOLTAGE		5.0	7.0	V _f	
REVERSE VOLTAGE	5.0			V _r	I _r =100uA
AXIAL INTENSITY		30		mcd	V _f =5V
VIEWING ANGLE		60		2x theta	
EMITTED COLOR:		RED			
EPOXY LENS FINISH:		RED DIFFUSED			

LIMITS OF SAFE OPERATION AT 25 DEG. C

PARAMETER	MAX	UNITS
PEAK FORWARD CURRENT *	150	mA
STEADY CURRENT	12	mA
POWER DISSIPATION	310	mW
DERATE FROM 25 °C	-1.2	mW/ °C
OPERATING, STORAGE TEMP.	-40 TO +85	°C
LEAD SOLDERING TEMP.	+260	°C
2.0mm FROM BODY		3 SEC. MAX

* t<10uS



292 E. HELLEN ROAD
PALATINE, ILLINOIS 60067
(708) 359-2790

DATE: 8-23-93

APPROVED BY:

DRAWN BY:

SCALE: DO NOT SCALE

T-1 3/4 LAMP, RED DIFFUSED, FAULT INDICATOR, INTEGRAL RESISTOR

PAGE 1 OF 1

DRAWING NUMBER

SSF-LXH4RA5ID-5V

REV
A