

Voltage selector switch, 6 stages, step switch, panel mounting



### Description

- Voltage Selector , 6 stages
- Step switch
- Solder terminals

### Standards

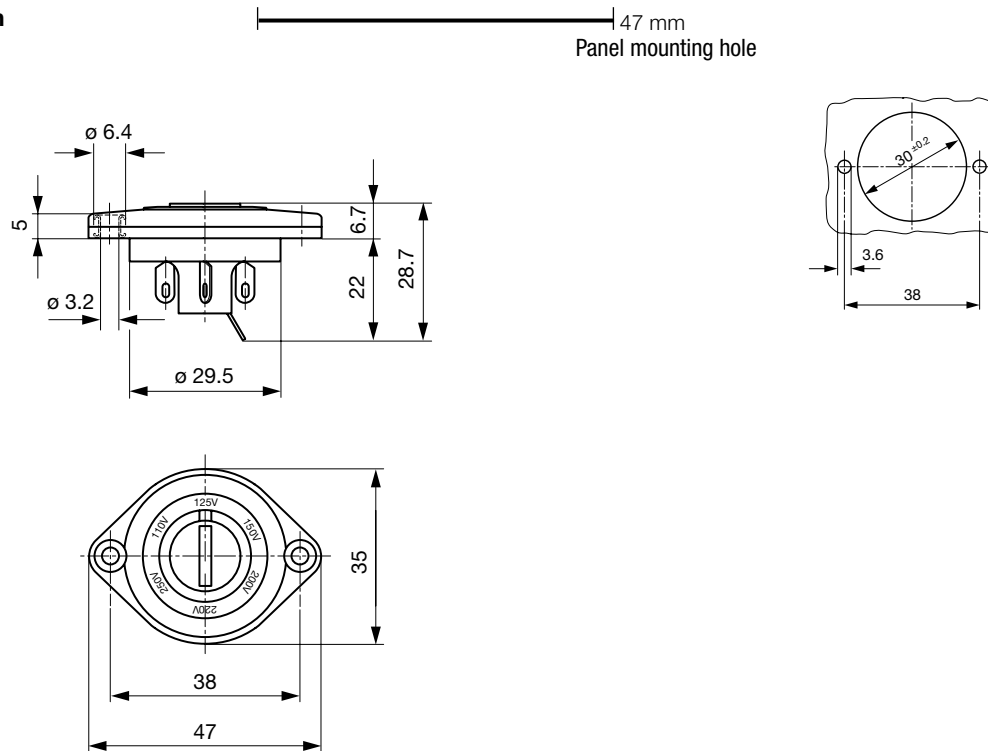
- IEC 61058-2-5
- UL 508
- CSA C22.2 no. 14

### Technical Data

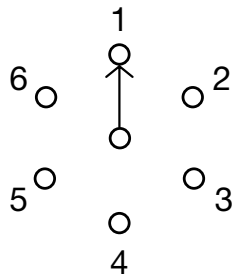
|                                 |                                     |                                 |   |   |
|---------------------------------|-------------------------------------|---------------------------------|---|---|
| Ratings                         | IEC: 6.3 A / 250 VAC; 50 Hz         | Solderability                   | 350 °C / 2 sec acc. to IEC 60068-2-20, Test Ta, method 2        |   |
|                                 | UL: 10 A / 250 VAC; 60 Hz           |                                 | Resistance to Soldering Heat                                    | 350 °C / 10 sec acc. to IEC 60068-2-20, Test Tb, method 2 |
|                                 | CSA: 8 A / 250 VAC; 60 Hz           |                                 |   | Insulation Resistance                                     |
| Mounting                        | Panel Mount from front side         | Contact Resistance              | < 10 mΩ at 20 mV  |   |
| Fastening                       | Screw-on mounting                   | Dielectric Strength             | > 2.5kVAC between L-N<br>> 4kVAC between L/N-PE<br>(1min; 50Hz) |   |
| Terminal                        | Solder                              | Clearance and Creepage Distance | > 5mm<br>> 8mm between L/N-PE                                   |   |
| Number of Stages                | 6                                   | Resistance to Vibration         | acc. to IEC 60068-2-6, test Fc                                  |   |
| Lifetime                        | 300 operating cycles (without load) |                                 |   |   |
| Degree of Protection            | IP 40                               |                                 |   |   |
| Allowable Operation Temperature | -40 °C to 85 °C                     |                                 |   |   |
| Climatic Category               | 25/85/21 acc. to IEC 60068-1        |                                 |   |   |
| Material: Socket                | Thermoplastic, black, UL 94V-0      |                                 |   |   |
| Weight                          | 16.5 g                              |                                 |   |   |

Detailed information on product approvals, code requirements, usage instructions and detailed test conditions can be looked up in [General Product Information](#)

Dimension



Diagrams



All Variants

| Letterings |         |         |         |         |         | Order Number |
|------------|---------|---------|---------|---------|---------|--------------|
| Stage 1    | Stage 2 | Stage 3 | Stage 4 | Stage 5 | Stage 6 |              |
| 110 V      | 125 V   | 145 V   | 160 V   | 220 V   | 250 V   | 0033.1101    |
|            |         |         |         |         |         | 0033.1104    |
| 100 V      | 115 V   | 127 V   |         | 220 V   | 240 V   | 0033.1108    |
| 100 V      | 115 V   | 120 V   | 220 V   | 240 V   |         | 0033.1109    |
| 100 V      | 115 V   | 125 V   | 200 V   | 220 V   | 240 V   | 0033.1113    |
|            | 100 V   | 115 V   | 220 V   | 240 V   |         | 0033.1118    |
| 100 V      | 110 V   | 220 V   | 240 V   |         |         | 0033.1120    |
| 100 V      | 120 V   | 200 V   | 220 V   | 230 V   | 240 V   | 0033.1127    |
| 100 V      | 110 V   | 120 V   | 125 V   | 230 V   | 240 V   | 0033.1130    |
| 4 Ω        | 8 Ω     | 16 Ω    |         |         |         | 0033.1133    |
| 110 V      | 220 V   | 230 V   |         |         |         | 0033.1134    |
| 100        | 120     | 200     | 208     | 230     | 0       | 0033.1136    |

---

| Letterings |         |         |         |         |         | Order Number |
|------------|---------|---------|---------|---------|---------|--------------|
| Stage 1    | Stage 2 | Stage 3 | Stage 4 | Stage 5 | Stage 6 |              |
| 100        | 115     | 230     | 240     |         |         | 0033.1137    |
| 1          | 2       | 3       | 4       | 5       | 0       | 0033.1140    |

---

Most Popular.

Availability for all products can be searched real-time:<http://www.schurter.com/en/Stock-Check/Stock-Check-SCHURTER>

---

**Packaging Unit**    25 Pcs

---