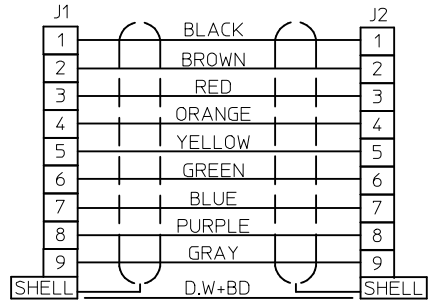


MATERIAL NO.	ENGINEERING NO.	DIM "A" INCH	DIM "A" (MM)
834219050	83421-9050	36.00 +.75/-.59	914 +20/-15
834219051	83421-9051	72.00 +1.50/-.00	1829 +40/-00
834219058	83421-9058	78.74 +1.50/-.00	2000 +40/-00
834219063	83421-9063	196.85 +6.5/-.00	5000 +165.1/-00
834219064	83421-9064	393.7 +12.5/-.00	10000 +317.5/-00
834219065	83421-9065	787.4 +24.5/-.00	20000 +622.3/-00



SALES DRAWING

NOTES:  
 1) REFER TO PS-83421-001 FRO PRODUCT SPEC  
 2) RoHS COMPLIANT

ADDED LAST 3 P/N EC NO: IFG2015-1657 2015/03/20 DRWN: BARDEN CHKD: APPR: BWOODMAN 2015/04/24 REV DESCRIPTION	QUALITY SYMBOLS	GENERAL TOLERANCES (UNLESS SPECIFIED)	DIMENSION STYLE	SCALE	DESIGN UNITS	THIRD ANGLE PROJECTION															
	$\nabla=0$ $\nabla C=0$	<table border="1"> <tr> <th></th> <th>mm</th> <th>INCH</th> </tr> <tr> <td>4 PLACES</td> <td>± ---</td> <td>± ---</td> </tr> <tr> <td>3 PLACES</td> <td>± ---</td> <td>± ---</td> </tr> <tr> <td>2 PLACES</td> <td>± ---</td> <td>± ---</td> </tr> <tr> <td>1 PLACE</td> <td>± ---</td> <td>± ---</td> </tr> </table>		mm	INCH	4 PLACES	± ---	± ---	3 PLACES	± ---	± ---	2 PLACES	± ---	± ---	1 PLACE	± ---	± ---	IN/MM	2:1	INCH	
		mm	INCH																		
	4 PLACES	± ---	± ---																		
3 PLACES	± ---	± ---																			
2 PLACES	± ---	± ---																			
1 PLACE	± ---	± ---																			
	ANGULAR ±1/2°	DRAWN BY: JAL DATE: 02/03/26 CHECKED BY: HEB DATE: 02/03/27 APPROVED BY: RWD DATE: 02/03/28	TITLE: COMMERCIAL MICRO-D 9 SOCKET CABLE ASS'Y	MATERIAL NO. SEE CHART		MATERIAL NO. SD-83421-004															
	DRAFT WHERE APPLICABLE MUST REMAIN WITHIN DIMENSIONS	THIS DRAWING CONTAINS INFORMATION THAT IS PROPRIETARY TO MOLEX INCORPORATED AND SHOULD NOT BE USED WITHOUT WRITTEN PERMISSION		MOLEX INCORPORATED		SHEET NO. 1 OF 1															