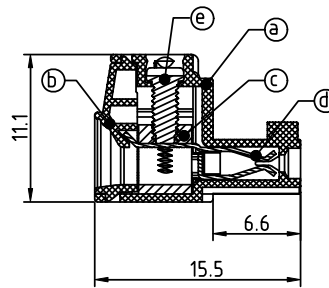
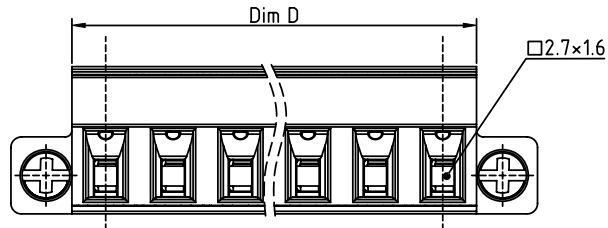
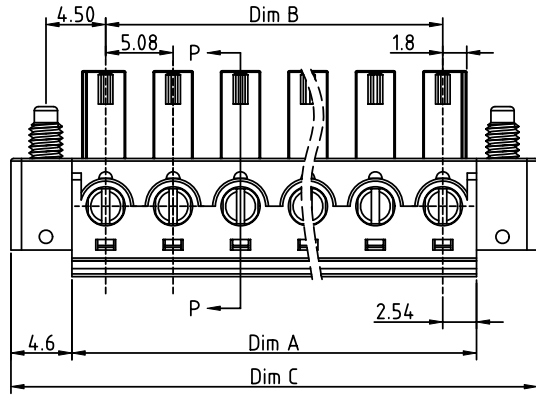
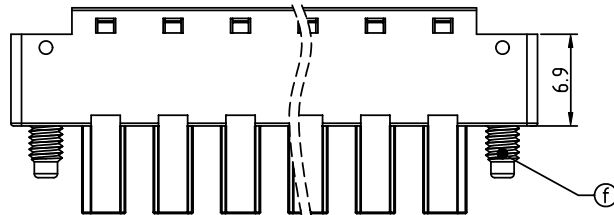


PRODUCT NUMBER	PITCH
VRxx51x200J0G	5.08 mm



SECTION P-P



Material

- Item (a) Terminal body: Thermoplastic (UL94V-0)
- Item (b) Terminal cover: Thermoplastic (UL94V-0)
- Item (c) Clamp: Brass, Ni plated
- Item (d) Female contact: PhBz, Tin plated
- Item (e) Terminal screw: Steel Cr3+ Zinc plating "-" slot type
- Item (f) With flange screw: steel M2.5 Zinc plating "+/-" slot type

Electrical cULus

- Voltage rating: 300VAC
- Current rating: 10A
- Wire range:
- Solid wire(AWG): 14-30
- Stranded wire(AWG): 14-30
- Torque(Lb-In): 2
- Screw: M2
- Wire strip length: 7-8mm
- Withstanding Voltage: 1.6KV
- Operating temperature: -40°C to +115°C
- Safety Approval:

N=NUMBER OF POLES

Dim A=Nx5.08
Dim B=(N-1)x5.08
Dim C=Nx5.08+9.20
Dim D=(N-1)x5.08+9.0

POLES	Tolerance
2P-5P	±0.15
6P-9P	±0.20
10P-13P	±0.30
14P-17P	±0.35
18P-24P	±0.40

PART NO.: VR xx 51 x 2 00J0 G

Solid block	No. of poles	Color	RoHS compliant (lead<4%) In copper Alloy
0	2	Black (RAL9005)	
02	2 poles	Red (RAL3001/D)	
03	3 poles	Orange(RAL2011/P)	
...	...	4 Yellow(RAL1018/A)	
...	...	5 Green(RAL6018/T)	
24	24 poles	6 Blue (RAL5015/A)	
		8 Grey(RAL7035/D)	
		9 White(RAL1102)	
		C Green(RAL6018/U)	

mat'l. code		surface ASME Y14.5	tolerance ASME Y14.5	projection 	product family TERMINAL BLOCK
ltr	ecn no	dr	date	tolerances unless otherwise specified	title TERMINAL BLOCK PLUGGABLE PLUG, CONTACT ON DOWN SIDE WITH FLANGE
				angles 	MM scale
				X±0.5	dwg no VRxx51x200J0G
				X.X±0.3	sheet 1 of 1 size A4
				X*±1*	X.XX±0.1
		dr	EVIN ZHONG	041814	
		enr	EVIN ZHONG	041814	
		chr	HANKE FENG	041814	
		appd	SHI JUN	041814	
sheet index	revision	A			type CUSTOMER Drawing
	sheet	1			