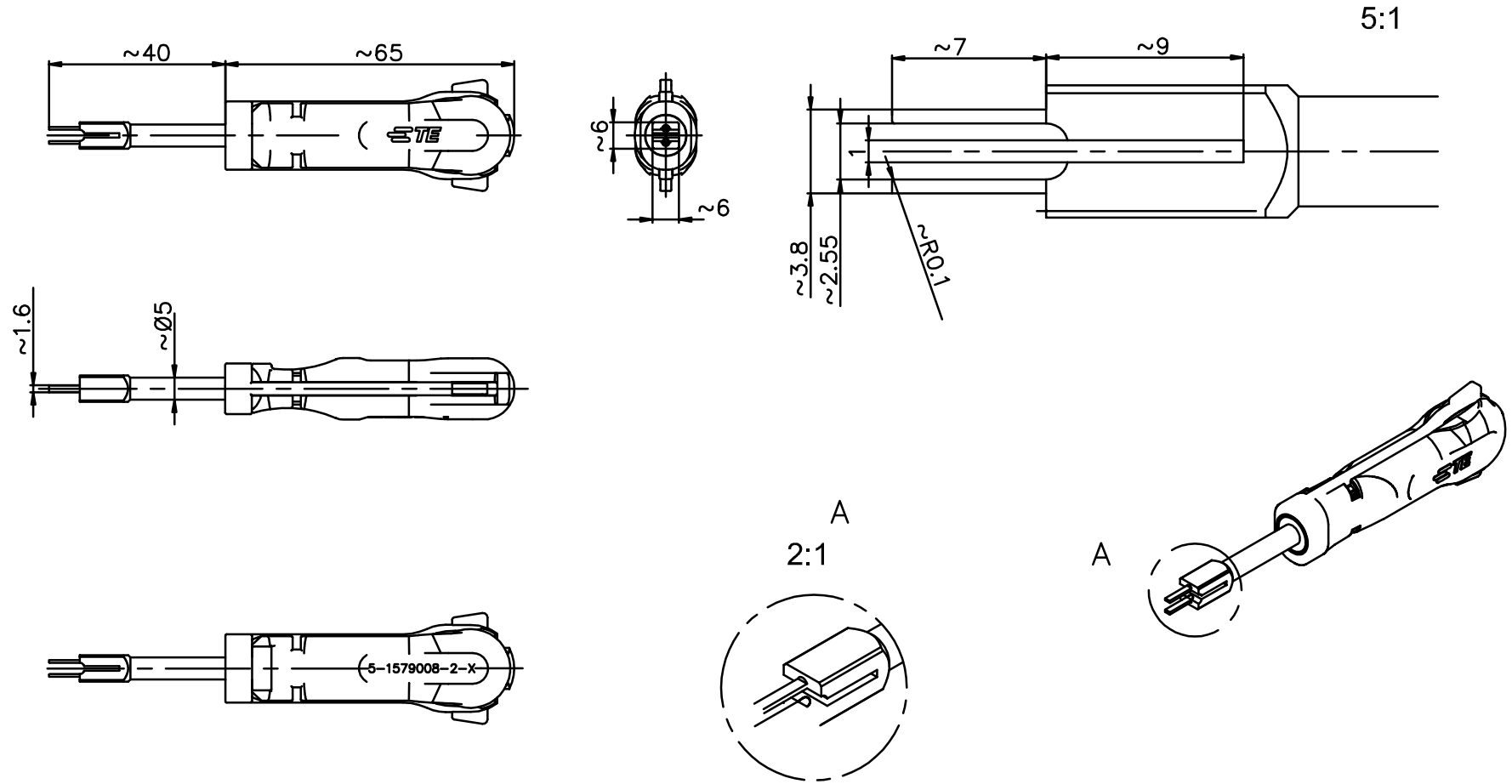




LOC		DIST		REVISIONS			
P	LTR	DESCRIPTION		DATE	DWN	APVD	
B1		ECR-17-004807		04APR2017	KH	BM	



APPLICATION RANGE / Anwendungsbereich :

FOR HOUSING: 1719334-1
 FOR CONTACT MCON 2.8 : 1719840-1

THIS DRAWING IS A CONTROLLED DOCUMENT.		DWN S. Samstag 13.08.2009	 TE Connectivity	
DIMENSIONS: mm		CHK G. Stegmayer 13.08.2009		
TOLERANCES UNLESS OTHERWISE SPECIFIED:		APVD G. Stegmayer 13.08.2009	NAME EXTRACTION TOOL Entriegelungswerkzeug	
		PRODUCT SPEC —	RESTRICTED TO —	
MATERIAL		FINISH	APPLICATION SPEC —	SIZE A3
			WEIGHT 0,017kg	CAGE CODE 00779
			DRAWING NO 5-1579008-2	
CUSTOMER DRAWING			SCALE 1:1	SHEET 1 OF 1
			REV B1	