

SPECIFICATIONS

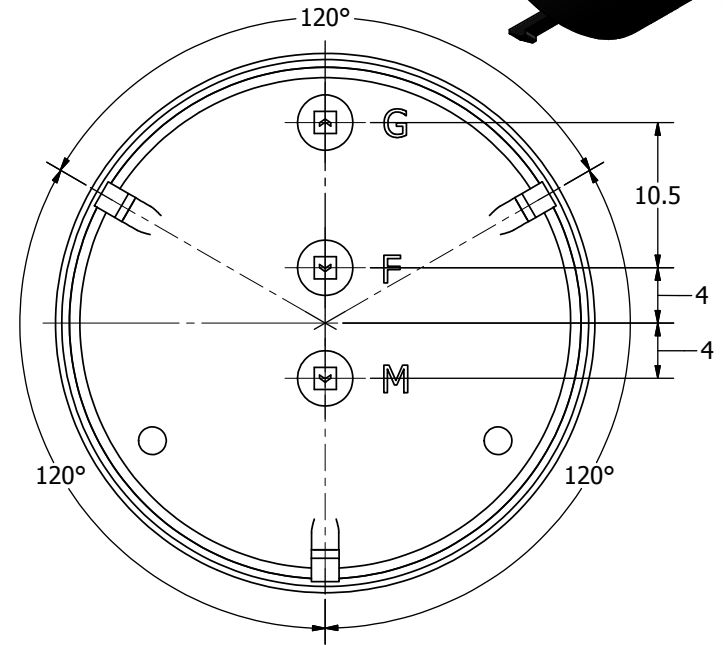
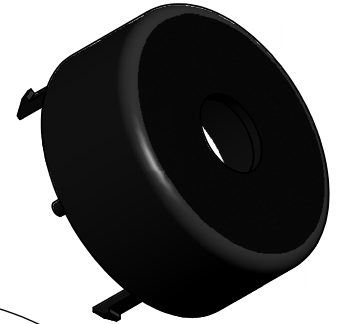
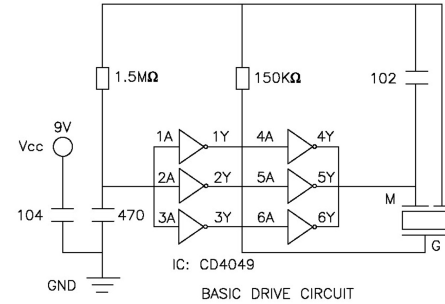
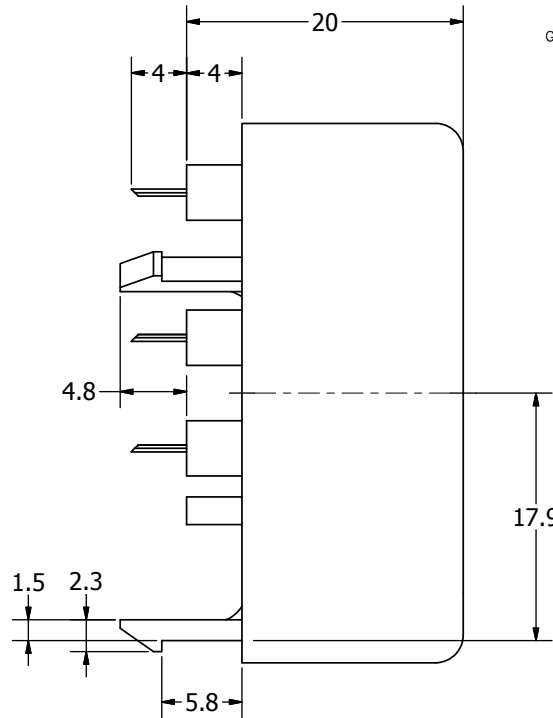
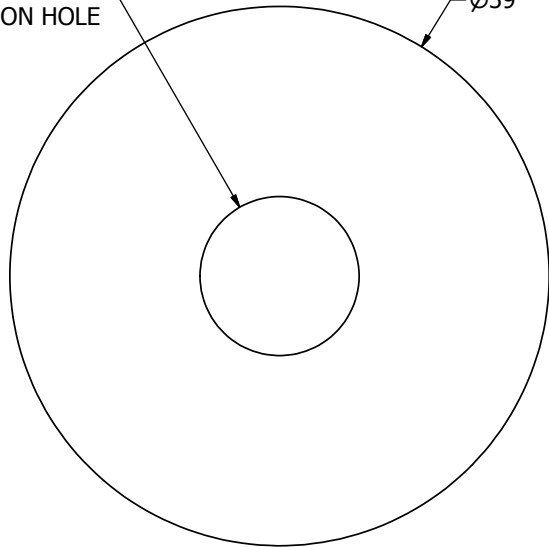
PARAMETERS	VALUES	UNIT
RATED VOLTAGE	9	Vp-p
OPERATING VOLTAGE RANGE	6 ~ 18	Vp-p
RATED CURRENT (MAX)	20	mA
CAPACITANCE	28,000 ± 30%	pF
MINIMUM SPL @ 10 CM	92	dBA
RESONANT FREQUENCY	3,400 ± 500	Hz
OPERATING TEMPERATURE	-20 ~ +70	°C
STORAGE TEMPERATURE	-30 ~ +80	°C
HOUSING MATERIAL	MPPO	-
TERMINAL MATERIAL	Sn PLATED BERYLLIUM BRONZE	-
WEIGHT	12	grams

THIS DOCUMENT CONTAINS DATA PROPRIETARY TO PROJECTS UNLIMITED, INC. ANY USE OR REPRODUCTION, IN ANY FORM, WITHOUT PRIOR WRITTEN PERMISSION OF PROJECTS UNLIMITED, INC. IS PROHIBITED.
©2003, Projects Unlimited Inc.

REVISION HISTORY

LTR	DESCRIPTION	DATE	APPROVED
-	RELEASED FROM ENGINEERING	3/16/2006	
A	REVISED TO INVENTOR 3-D DRAWING TEMPLATE	9/03/2008	B.R.

Ø11.5 SOUND EMISSION HOLE



NOTES:

- ALL DIMENSIONS ARE IN MILLIMETERS.
- SPECIFICATIONS SUBJECT TO CHANGE OR WITHDRAWL WITHOUT NOTICE.
- STAINLESS STEEL BENDER-COATING OVER CERAMIC.
- THIS PART IS RoHS 2002/95/EC COMPLIANT.

UNLESS OTHERWISE SPECIFIED: DIMENSIONS ARE IN MILLIMETERS, TOLERANCES ARE ±0.5 AND ANGLES ARE ±3°.	SIZE A3	Designed by	Date	Checked by	Date	Approved by	Date	Drawn Date	
		T.G.	3/16/2006	B.R.	3/16/2006	E.P.	3/16/2006	9/3/2008	
AT-3934-TT-CS-R.idw						AT-3934-TT-CS-R Transducer (Piezo)		Edition	Sheet
								-	1 / 1