



# Hexagon Application Kit

For XMC4000 Family

## HMI\_OLED-V1

Standard Human Machine Interface Card

## Board User's Manual

Revision 1.0, 2012-02-28

Microcontroller

**Edition 2012-02-28**

**Published by  
Infineon Technologies AG  
81726 Munich, Germany**

**© 2012 Infineon Technologies AG  
All Rights Reserved.**

### **Legal Disclaimer**

The information given in this document shall in no event be regarded as a guarantee of conditions or characteristics. With respect to any examples or hints given herein, any typical values stated herein and/or any information regarding the application of the device, Infineon Technologies hereby disclaims any and all warranties and liabilities of any kind, including without limitation, warranties of non-infringement of intellectual property rights of any third party.

### **Information**

For further information on technology, delivery terms and conditions and prices, please contact the nearest Infineon Technologies Office ([www.infineon.com](http://www.infineon.com)).

### **Warnings**

Due to technical requirements, components may contain dangerous substances. For information on the types in question, please contact the nearest Infineon Technologies Office.

Infineon Technologies components may be used in life-support devices or systems only with the express written approval of Infineon Technologies, if a failure of such components can reasonably be expected to cause the failure of that life-support device or system or to affect the safety or effectiveness of that device or system. Life support devices or systems are intended to be implanted in the human body or to support and/or maintain and sustain and/or protect human life. If they fail, it is reasonable to assume that the health of the user or other persons may be endangered.

**Revision History**

Page or Item	Subjects (major changes since previous revision)
Revision 1.0, 2012-02-28	Initial release

**Trademarks of Infineon Technologies AG**

AURIX™, C166™, CanPAK™, CIPOS™, CIPURSE™, EconoPACK™, CoolMOS™, CoolSET™, CORECONTROL™, CROSSAVE™, DAVE™, EasyPIM™, EconoBRIDGE™, EconoDUAL™, EconoPIM™, EiceDRIVER™, eupec™, FCOS™, HITFET™, HybridPACK™, I<sup>2</sup>RF™, ISOFACE™, IsoPACK™, MIPAQ™, ModSTACK™, my-d™, NovalithIC™, OptiMOS™, ORIGA™, PRIMARION™, PrimePACK™, PrimeSTACK™, PRO-SIL™, PROFET™, RASIC™, ReverSave™, SatRIC™, SIEGET™, SINDRION™, SIPMOS™, SmartLEWIS™, SOLID FLASH™, TEMPFET™, thinQ!™, TRENCHSTOP™, TriCore™.

**Other Trademarks**

Advance Design System™ (ADS) of Agilent Technologies, AMBA™, ARM™, MULTI-ICE™, KEIL™, PRIMECELL™, REALVIEW™, THUMB™, μVision™ of ARM Limited, UK. AUTOSAR™ is licensed by AUTOSAR development partnership. Bluetooth™ of Bluetooth SIG Inc. CAT-iq™ of DECT Forum. COLOSSUS™, FirstGPS™ of Trimble Navigation Ltd. EMV™ of EMVCo, LLC (Visa Holdings Inc.). EPCOS™ of Epcos AG. FLEXGO™ of Microsoft Corporation. FlexRay™ is licensed by FlexRay Consortium. HYPERTERMINAL™ of Hilgraeve Incorporated. IEC™ of Commission Electrotechnique Internationale. IrDA™ of Infrared Data Association Corporation. ISO™ of INTERNATIONAL ORGANIZATION FOR STANDARDIZATION. MATLAB™ of MathWorks, Inc. MAXIM™ of Maxim Integrated Products, Inc. MICROTEC™, NUCLEUS™ of Mentor Graphics Corporation. Mifare™ of NXP. MIPI™ of MIPI Alliance, Inc. MIPS™ of MIPS Technologies, Inc., USA. muRata™ of MURATA MANUFACTURING CO., MICROWAVE OFFICE™ (MWO) of Applied Wave Research Inc., OmniVision™ of OmniVision Technologies, Inc. Openwave™ Openwave Systems Inc. RED HAT™ Red Hat, Inc. RFMD™ RF Micro Devices, Inc. SIRIUS™ of Sirius Satellite Radio Inc. SOLARIS™ of Sun Microsystems, Inc. SPANSION™ of Spansion LLC Ltd. Symbian™ of Symbian Software Limited. TAIYO YUDEN™ of Taiyo Yuden Co. TEAKLITE™ of CEVA, Inc. TEKTRONIX™ of Tektronix Inc. TOKO™ of TOKO KABUSHIKI KAISHA TA. UNIX™ of X/Open Company Limited. VERILOG™, PALLADIUM™ of Cadence Design Systems, Inc. VLYNQ™ of Texas Instruments Incorporated. VXWORKS™, WIND RIVER™ of WIND RIVER SYSTEMS, INC. ZETEX™ of Diodes Zetex Limited.

Last Trademarks Update 2011-02-24

## Table of Contents

<b>1</b>	<b>Overview .....</b>	<b>7</b>
1.1	Key Features .....	7
1.2	Block Diagram .....	8
<b>2</b>	<b>Hardware Description .....</b>	<b>9</b>
2.1	MicroSD Memory Slot .....	10
2.2	OLED Display .....	11
2.3	Audio .....	12
2.4	IO Expander .....	13
2.5	Touch Buttons .....	14
2.6	Power .....	14
2.7	Satellite Connector .....	15
<b>3</b>	<b>Production Data.....</b>	<b>17</b>
3.1	Schematics .....	17
3.2	Layout and Geometry .....	20
3.3	Bill of Material .....	21

## List of Figures

Figure 1	Block Diagram of Standard Human Machine Interface Card.....	8
Figure 2	Standard HMI Card Interfaces .....	9
Figure 3	MicroSD card Connector Interface.....	10
Figure 4	Touch Buttons .....	14
Figure 5	Power Circuit .....	15
Figure 6	HMI Satellite Connector .....	15
Figure 7	Satellite Connector HMI .....	16
Figure 8	Satellite Connector, Power, Touch button .....	18
Figure 9	Micro-SD, Audio, IO Expander, OLED .....	19
Figure 10	Standard Human Machine Interface Card Layout.....	20

## List of Tables

Table 1	MicroSD Connector .....	10
Table 2	MicroSD signal connection to the Satellite Connector .....	11
Table 3	OLED display Connector Pinout .....	11
Table 4	OLED signal connection to the Satellite Connector .....	12
Table 5	2.5 mm Audio Jack Pinout .....	13
Table 6	Audio signal connection to the Satellite Connector.....	13
Table 7	GPIO channel LED/SMD pad mapping.....	13
Table 8	IO Expander I2C signal connection to the Satellite Connector .....	13
Table 9	Touch signal connection to the Satellite Connector .....	14
Table 10	Power LED .....	14
Table 11	Power rail connection to the Satellite Connector .....	15
Table 12	Standard Human Machine Interface Card BOM .....	21

## Introduction

This document describes the features and hardware details of the Standard Human Machine Interface Card (HMI\_OLED-V1) designed to work with Infineon's XMC4500 CPU board. This board is part of Infineon's Hexagon Application Kits.

## 1 Overview

The HMI\_OLED-V1 board is an application expansion satellite card of Hexagon Application Kits. The satellite card along with a CPU board (e.g. CPU\_45A-V2 board) demonstrates the Human Machine Interface (HMI) capabilities of XMC4500. The main use case for this satellite card is to demonstrate the HMI features of XMC4500 device including the toolchain. The focus is safe operation under evaluation conditions. The board is not cost optimized and cannot be seen as reference design.

### 1.1 Key Features

The HMI\_OLED-V1 satellite card is equipped with following features

- Connection to CPU board (e.g. CPU\_45A-V2) via HMI satellite connector
- Micro SD card connector – 4 bit mode
- Passive matrix OLED display (PMOLED), 1.54" screen size, 160x128 pixels
- Stereo audio codec TLV320AIC3204
- 2.5 mm stereo receptacle for audio headsets with microphone
- 2 touch buttons with LED's
- I2C based IO expander with 8 channels
- Power supply via satellite connector

## 1.2 Block Diagram

Figure 1 shows the block diagram of the HMI\_OLED-V1 satellite card. There are following building blocks:

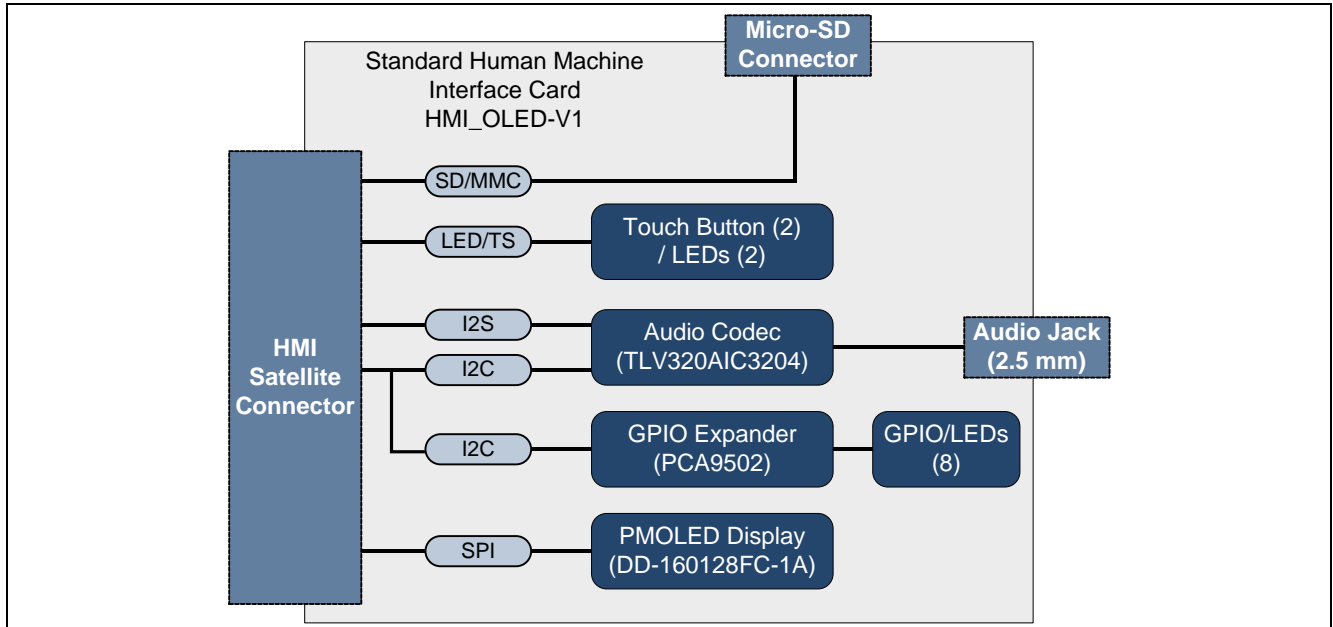


Figure 1 Block Diagram of Standard Human Machine Interface Card



## 2 Hardware Description

The following sections give a detailed description of the hardware and how it can be used.

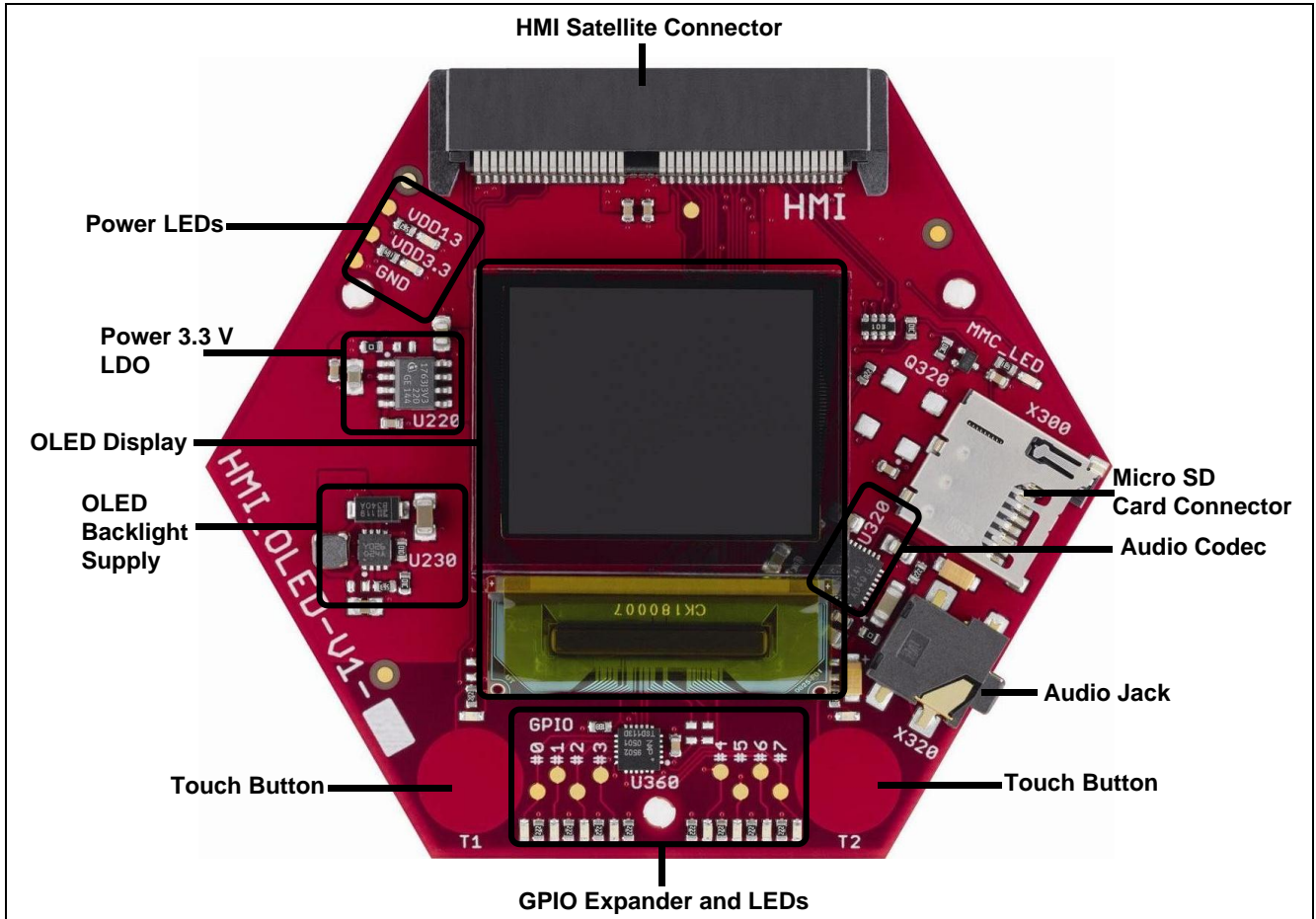
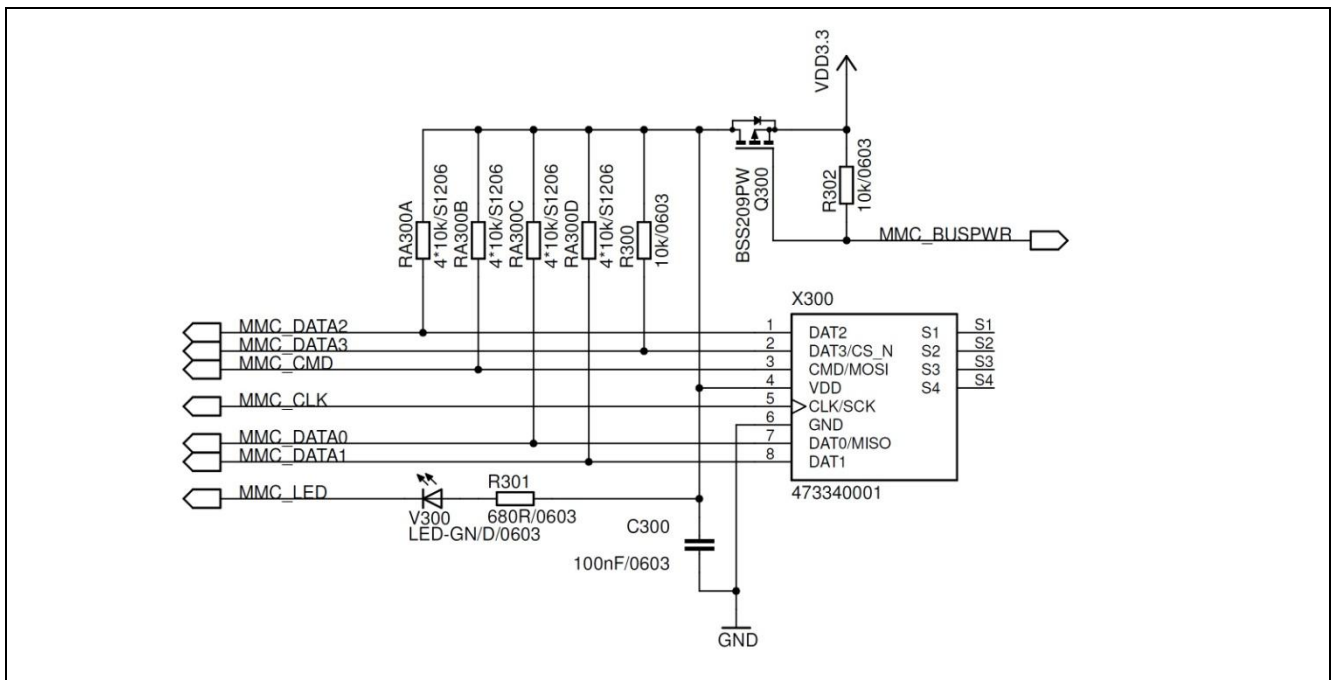


Figure 2 Standard HMI Card Interfaces

## 2.1 MicroSD Memory Slot

The HMI\_OLED-V1 satellite card supports a MicroSD card connector on board. The SD/MMC interface of XMC4500 can be used in different modes (SPI mode, 1-bit SD, 4-bit SD, 8-bit MMC). HMI\_OLED-V1 satellite card supports 4-bit SD mode implementation of SD card interface.

*Note: Signals MMC\_BUSPWR and MMC\_LED from SD card are connected to ground in CPU board CPU\_45A-V2, hence power a SD-Card will be always enabled and LED (V300) will be ON when satellite card is powered and interfaced to CPU\_45A-V2 board .*



**Figure 3 MicroSD card Connector Interface**

Table 1 below gives the signal details of SD card connector interface.

**Table 1 MicroSD Connector**

Pin No.	Signal Name	Description
1	DAT2	Data Bit 2
2	DAT3/CS_N	Data Bit 3
3	CMD/MOSI	Command
4	VDD	Power (+3.3 V)
5	CLK/SCK	Clock
6	GND	Ground
7	DAT0	Data Bit 0
8	DAT1	Data Bit 1

Table 2 shows the connection of the MicroSD card signals to the HMI satellite connector.

**Table 2      MicroSD signal connection to the Satellite Connector**

Pin No.	Signal Name	Description
3	MMC_CLK	Clock
6	MMC_DATA0	Data Bit 0
5	MMC_DATA1	Data Bit 1
8	MMC_DATA2	Data Bit 2
7	MMC_DATA3	Data Bit 3
13	MMC_BUSPWR	Power
14	MMC_CMD	Command
16	MMC_LED	LED

## 2.2      OLED Display

The HMI\_OLED-V1 satellite card supports a passive matrix OLED display (PMOLED) from Densitron on board. The display DD-160128FC-1A has a resolution of 160x128 pixels on a 1.54" screen.

The card implements PMOLED display interface through SPI-Bus of XMC4500. This display module uses a Syncoam SEPS525F 160 RGB x 128 Dots, 262K Colors PMOLED Display Driver and Controller. Refer to the SEPS525F datasheet for details.

The card implements a backlight power supply STOD2540 to generate 13 Volt (VDD13). LED V241 indicates the presence of VDD13 (OLED Backlight Supply)

Table 3 gives the details of OLED display connector pin mapping.

**Table 3      OLED display Connector Pinout**

Pin No.	Signal Name	Description
1	NC	No Connect
2	VSDH	Data Driver Ground
3	VDDH	Data, Scan Driver Power Supply (8 ~ 18 V)
4	VSSH	Scan Driver Ground
5	IREF	Tie 70 k $\Omega$ to VSS
6	OSCA2	Tie 10 k $\Omega$ to OSCA1 between OSCA2
7	OSCA1	Tie 10 k $\Omega$ to OSCA1 between OSCA2
8	VDDIO	MPU I/F PAD Power Supply (1.6 ~ 3.3 V)
9	VSYNCO	No Connect (used only in RGB mode)
10	VSYNC	No Connect (used only in RGB mode)
11	HSYNC	No Connect (used only in RGB mode)
12	DOTCLK	No Connect (used only in RGB mode)
13	ENABLE	No Connect (used only in RGB mode)
14	CPU	Selects the CPU type Low : 80 Series CPU, High : 68 Series CPU
15	PS	Selects Parallel/Serial Interface For SPI, connect Low
16	D17/SCL	SPI Clock
17	D16/SDI	SPI Data Input

**Table 3 OLED display Connector Pinout**

Pin No.	Signal Name	Description
18	D15/SDO	SPI Data Output (use 0 ohm)
19	D14	No Connect (used only in parallel mode)
20	D13	No Connect (used only in parallel mode)
21	D12	No Connect (used only in parallel mode)
22	D11	No Connect (used only in parallel mode)
23	D10	No Connect (used only in parallel mode)
24	D9	No Connect (used only in parallel mode)
25	RS	Data/Command Select
26	CSB	SPI Select
27	RDB	When using SPI, fix it to VDD or VSS level
28	WRB	When using SPI, fix it to VDD or VSS level
29	RESETB	Reset SEPS525(active low)
30	VSS	Logic Ground
31	VDD	Logic Power Supply(2.4 ~ 3.3 V)
32	VSSH	Scan Driver Ground
33	VDDH	Data, Scan Driver Power Supply(8 ~ 18 V)
34	VSDH	Data Driver Ground
35	NC	No connect

The PMOLED display module is interfaced to the connector through a 30-wire flatcable and glued to the satellite card.

Table 4 shows the connection of the OLED signals to the HMI satellite connector.

**Table 4 OLED signal connection to the Satellite Connector**

Pin No.	Signal Name	Description
31	SPI_CSH0	Chipselect
32	SPI_MTSR	Data In
34	SPI_MRST	Data Out
36	SPI_CLK	Clock
24	OLED_RS	Data/Command Select
42	RESET_N	Reset

## 2.3 Audio

The HMI\_OLED-V1 satellite card supports audio interface on board with stereo audio codec TLV320AIC3204 (U320). The control interface of audio codec is through I2C Bus and audio data is interfaced to I2S Bus of XMC4500 CPU extended through satellite connector.

A GPIO pin (P2.10) is used to reset the the audio codec (signal AUDIO\_RST\_N). The codec has a built-in headphone driver as well as a microphone input (analog and digital). The satellite card uses a 4-pin, 2.5 mm stereo receptacle (Nokia 6300 style) for audio headsets.

The board supports an external clock through an oscillator (Q320). Currently this oscillator is not mounted.

**Table 5      2.5 mm Audio Jack Pinout**

Pin No.	Signal Name	Description
1	GND	Ground
2	HPL	Head Phone Left
3	HPR	Head Phone Right
4	MICBIAS	Mic Input

Table 6 shows the connection of the audio signals to the HMI satellite connector.

**Table 6      Audio signal connection to the Satellite Connector**

Pin No.	Signal Name	Description
23	AUDIO_RST_N	Reset
25	I2S_WA	Address
27	I2S_MCLK	Master Clock
26	I2S_MTSR	Data In
28	I2S_MRST	Data Out
30	I2S_SCLK	Slave Clock

## 2.4      IO Expander

The HMI\_OLED-V1 satellite card supports GPIO expansion through I2C IO-Expander on board (U360). The I2C address for the IO expander device is 0x1001101X. The satellite card supports 8 such GPIO's. All the GPIO's are connected to LEDs (V360-V367) and SMD-Pads (TP360 – TP367). The Table 7 shows the GPIO channel and corresponding LED/PAD mapping.

**Table 7      GPIO channel LED/SMD pad mapping**

GPIO	LED Reference	SMD pad Reference
GPIO0	V360	TP360
GPIO1	V361	TP361
GPIO2	V362	TP362
GPIO3	V363	TP363
GPIO4	V364	TP364
GPIO5	V365	TP365
GPIO6	V366	TP366
GPIO7	V367	TP367

Table 8 shows the connection of the IO Expander device to the HMI satellite connector.

**Table 8      IO Expander I2C signal connection to the Satellite Connector**

Pin No.	Signal Name	Description
38	I2C_SCL	Clock
37	I2C_SDA	Data

## 2.5 Touch Buttons

The HMI\_OLED-V1 satellite card supports two touch buttons (TOUCH250 and TOUCH251) that are connected to the CPU board via the satellite connector. These two signals are connected to LED's V250 & V251.

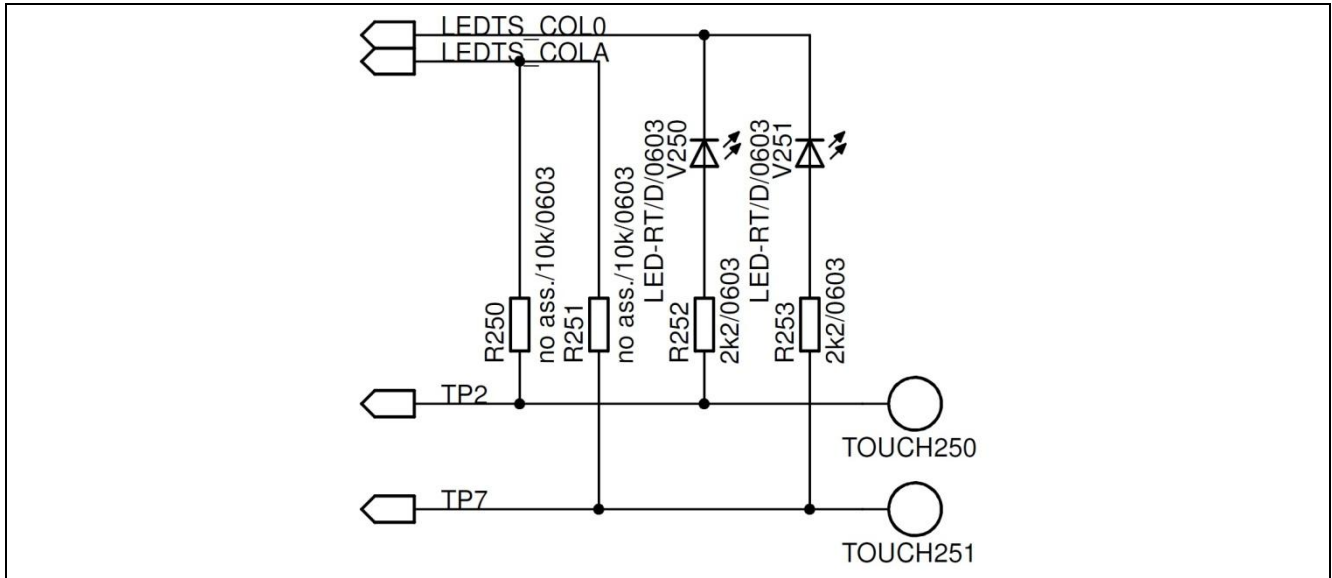


Figure 4 Touch Buttons

Table 9 shows the connection of the touch signals to the HMI satellite connector.

Table 9 Touch signal connection to the Satellite Connector

Pin No.	Signal Name	Description
75	LEDTS_COL0	Column 0
77	LEDTS_COLA	Column A
74	TP2	Touch 2
64	TP7	Touch 7

## 2.6 Power

Power input (5 V) to the satellite card is supported through satellite connector. 3.3 V is generated on board using on board regulator (U220).

LED V240 indicates the presence of 3.3 V power. The card implements a backlight power supply STOD2540 to generate 13 Volt (VDD13). LED V241 indicates the presence of VDD13 (OLED Backlight Supply)

Table 10 Power LED

LED	Power Rail	Voltage	Note
V240	VDD3.3	3.3 V	Must always be "ON"
V241	VDD13	13 V	Must always be "ON"

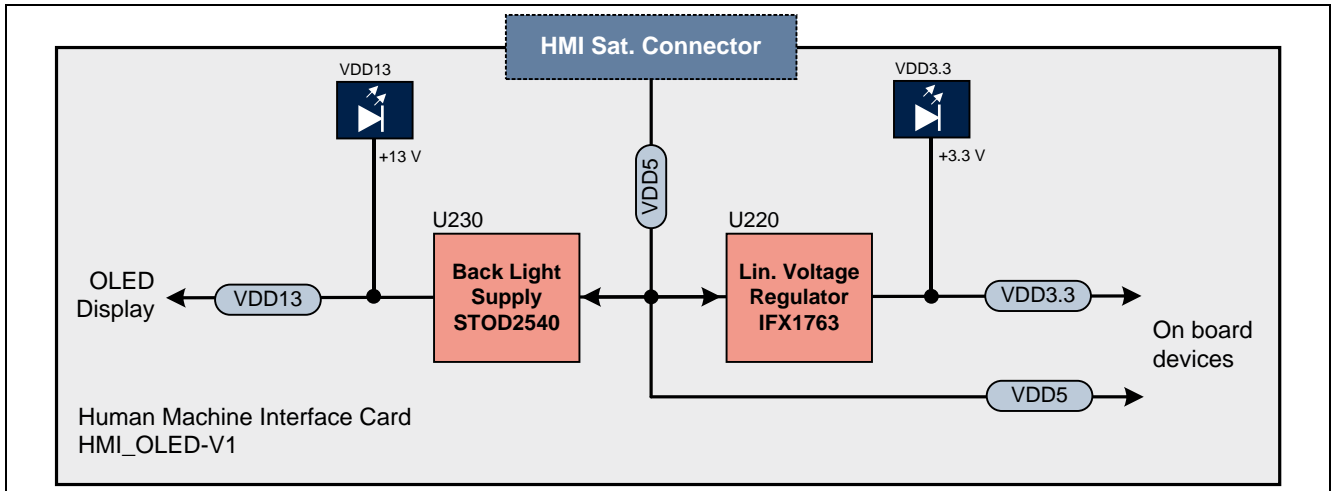


Figure 5 Power Circuit

Table 11 shows the connection of the power rails to the HMI satellite connector.

Table 11 Power rail connection to the Satellite Connector

Pin No.	Power rail	Description
43,44,45,46	VDD5	5 V
1,2,79,80	GND	Ground

## 2.7 Satellite Connector

The satellite connector of the HMI\_OLED-V1 satellite card interfaces it's the signals to a CPU board e.g. CPU\_45A-V2. Take care to connect the HMI satellite card always to the corresponding HMI satellite connector of the CPU board only.

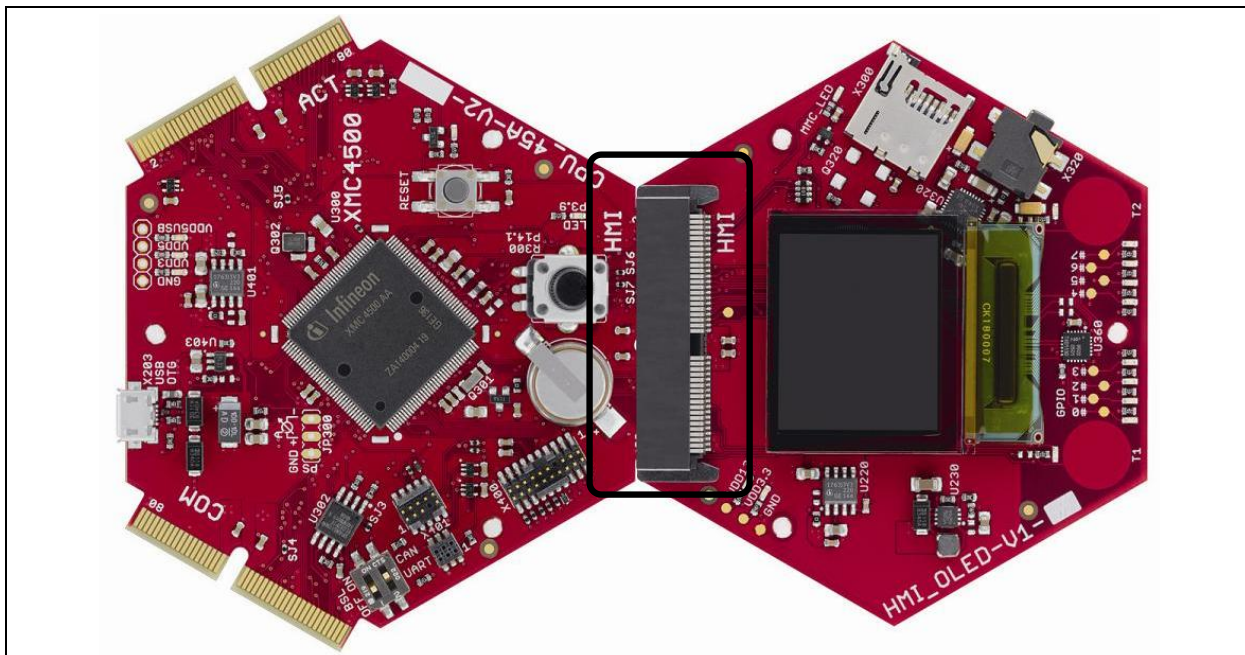


Figure 6 HMI Satellite Connector

The Signals mapping details of HMI satellite connector and corresponding CPU function are provided in Figure 7.

CPU_45A V2 function >>	HMI		CPU_45A V2 function >>
GND	1	GND	GND
MMC_CLK_OUT	2	GND	MMC_CLK
MMC_DATA1_OUT	3	MMC_nRST	MMC_DATA1
MMC_DATA3_OUT	4	MMC_DATA0	MMC_DATA3
nc	5	MMC_DATA2	nc
nc	6	RSVD	nc
nc	7	RSVD	nc
nc	8	MMC_CMD_OUT	nc
nc	9	MMC_LED	nc
nc	10	RSVD	nc
nc	11	RSVD	nc
nc	12	MMC_CMD	nc
nc	13	MMC_LED	nc
nc	14	RSVD	nc
nc	15	RSVD	nc
nc	16	RSVD	nc
nc	17	RSVD	nc
nc	18	RSVD	nc
nc	19	RSVD	nc
nc	20	RSVD	nc
nc	21	RSVD	nc
P2.10	22	RSVD	nc
U0C1_SEL00	23	OLED_CMD	P5.11
nc	24	I2S_MTSR	U0C1_DOUT0
nc	25	I2S_MRST	U0C1_DX0B
nc	26	I2S_SCLK	U0C1_SCLKOUT
U1C1_SEL01	27	SPI_MTSR	U1C1_DOUT0
P3.1	28	SPI_MRST	U1C1_DX0B
P3.8	29	SPI_SCLK	U1C1_SCLKOUT
U1C0_DX0C/DOUT0	30	I2C_SCL	U1C0_SCLKOUT
P15.5	31	GPIO	P0.6
CCU81_OUT03	32	RESET	PORST
5V	33	5V	5V
5V	34	5V	5V
VAGND	35	AREF	VAREF
VADC_G1CH1	36	DAC1/ADC0	VADC_G1CH0
VADC_G0CH6	37	ADC2/DACREF	VADC_G0CH4
VADC_G1CH4	38	ADC14	VADC_G0CH3
VADC_G3CH5	39	ADC16	VADC_G2CH3
VADC_G3CH4	40	ADC18	VADC_G2CH2
nc	41	RSVD	nc
nc	42	RSVD	nc
nc	43	RSVD	nc
nc	44	TP7	LEDTS_TSIN7A
nc	45	RSVD	nc
nc	46	RSVD	nc
nc	47	RSVD	nc
nc	48	RSVD	nc
nc	49	RSVD	nc
nc	50	RSVD	nc
nc	51	RSVD	nc
nc	52	RSVD	nc
nc	53	RSVD	nc
nc	54	RSVD	nc
nc	55	RSVD	nc
nc	56	RSVD	nc
nc	57	RSVD	nc
nc	58	RSVD	nc
nc	59	RSVD	nc
nc	60	RSVD	nc
nc	61	RSVD	nc
nc	62	RSVD	nc
nc	63	RSVD	nc
nc	64	RSVD	nc
nc	65	RSVD	nc
nc	66	RSVD	nc
nc	67	RSVD	nc
nc	68	RSVD	nc
nc	69	RSVD	nc
nc	70	RSVD	nc
nc	71	RSVD	nc
nc	72	RSVD	nc
nc	73	RSVD	nc
LEDTS_COLO	74	TP2	LEDTS_TSIN2A
LEDTS_COLA	75	RSVD	nc
GND	76	RSVD	nc
GND	77	RSVD	nc
GND	78	RSVD	nc
GND	79	GND	GND
GND	80	GND	GND

Figure 7 Satellite Connector HMI

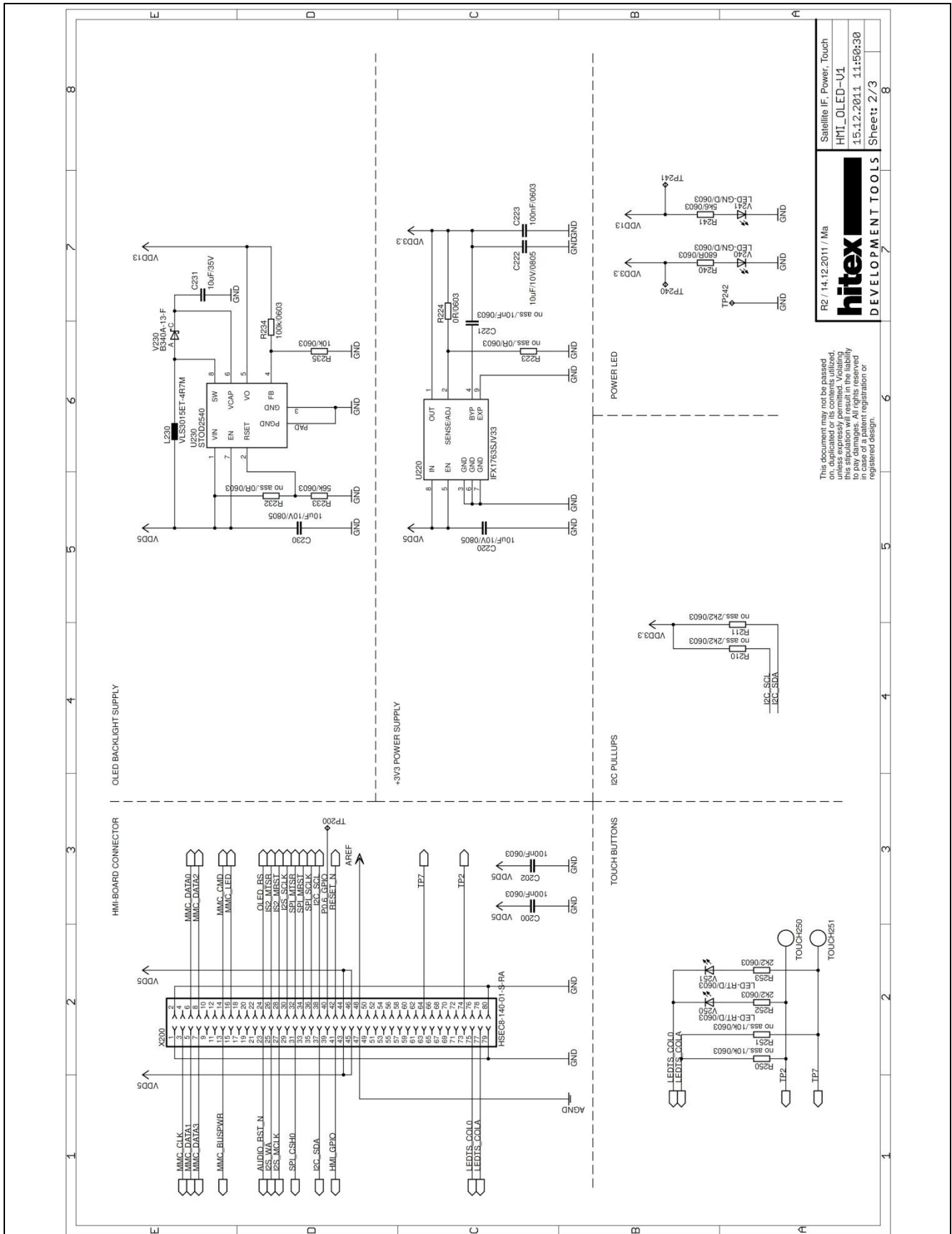


## 3 Production Data

### 3.1 Schematics

This chapter contains the schematics for the Standard Human Machine Interface Card:

- Satellite Connector, Power, Touch button
- Micro-SD, Audio, IO Expander, OLED

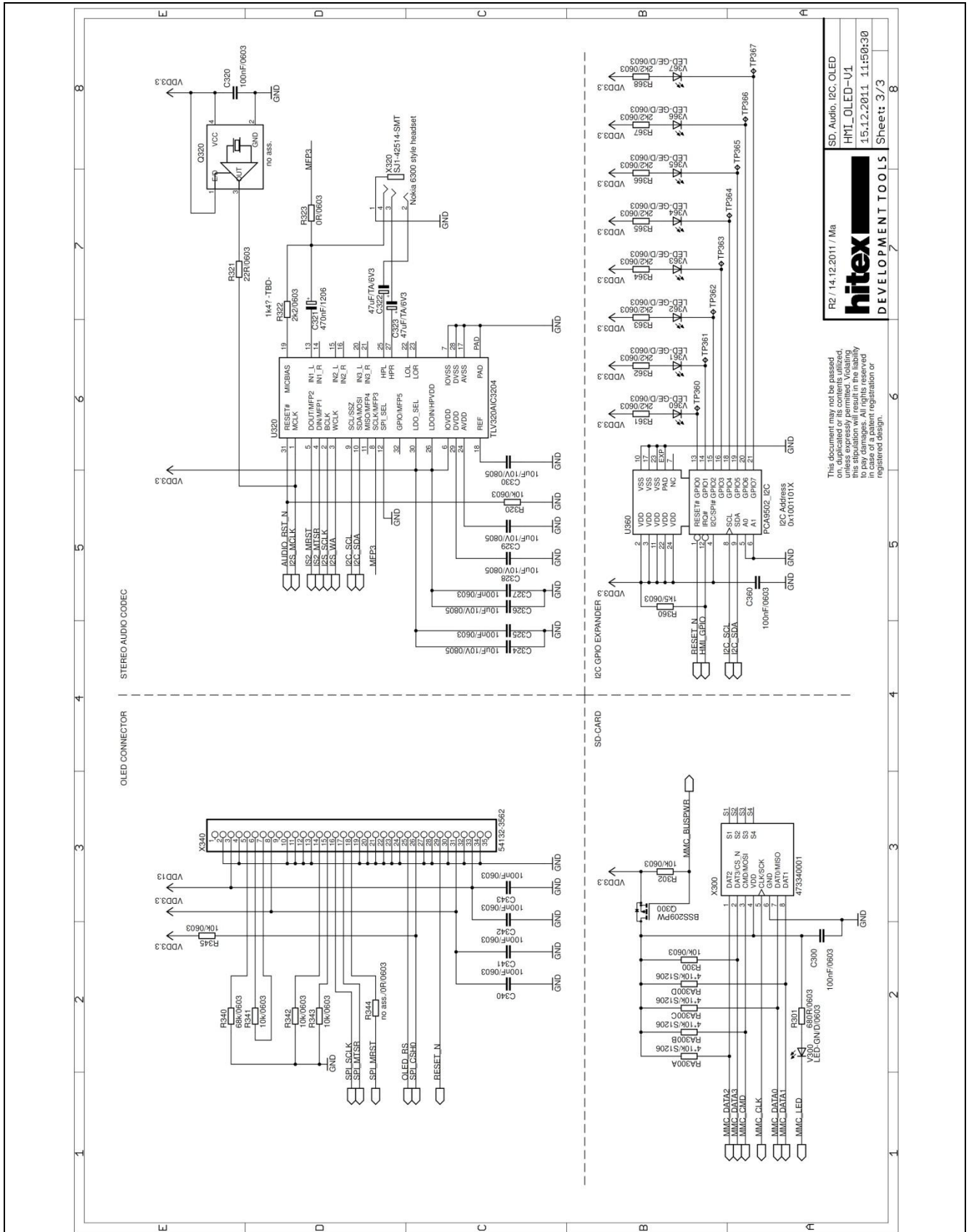


R2 / 14.12.2011 / Ma  
**hitex**  
DEVELOPMENT TOOLS

Satellite IF, Power, Touch  
HMI\_OLED-V1  
15.12.2011 11:50:30  
Sheet: 2/3

This document may not be passed on, duplicated or its contents utilized, in whole or in part, without the written permission of Hitex. Any unauthorized use of this information will result in the liability to pay damages. All rights reserved in case of a patent registration or registered design.

Figure 8 Satellite Connector, Power, Touch button



RZ / 14.12.2011 / Ma  
**hitex**  
 DEVELOPMENT TOOLS  
 Sheet: 3/3

This document may not be passed  
 on, copied, or reproduced in any  
 form, without the express written  
 permission of Hitex. Violating  
 this stipulation will result in the liability  
 of the user. Hitex is not  
 registered design.

Figure 9 Micro-SD, Audio, IO Expander, OLED

### 3.2 Layout and Geometry

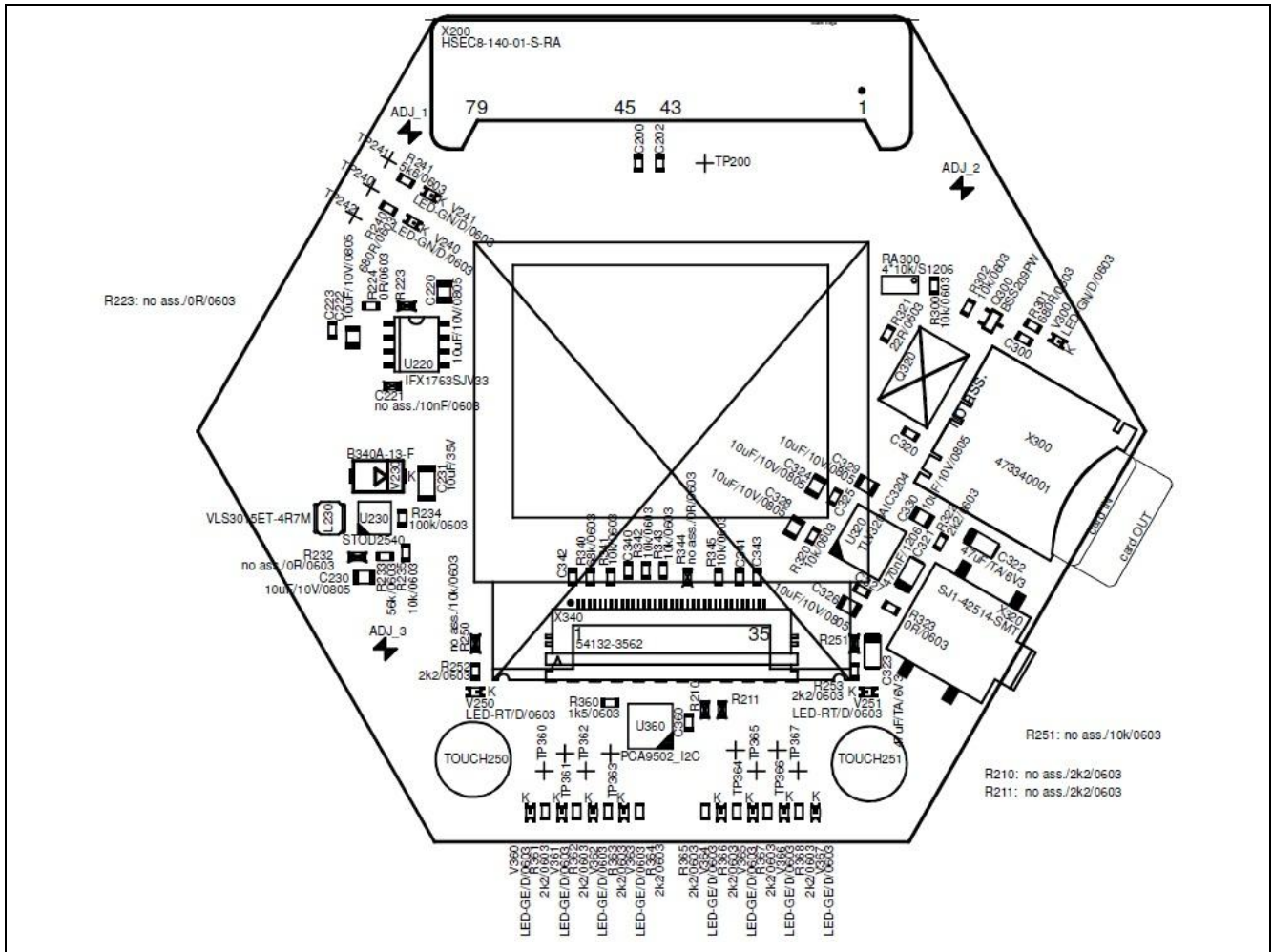


Figure 10 Standard Human Machine Interface Card Layout

### 3.3 Bill of Material

**Table 12 Standard Human Machine Interface Card BOM**

Sl. No.	Qty	Value	Device	Reference Designator
1	2	0R/0603	Resistor	R224, R323
2	1	1k5/0603	Resistor	R360
3	11	2k2/0603	Resistor	R252, R253, R322, R361, R362, R363, R364, R365, R366, R367, R368
4	1	4*10k/S1206	Resistor	RA300
5	1	5k6/0603	Resistor	R241
6	8	10k/0603	Resistor	R235, R300, R302, R320, R341, R342, R343, R345
7	8	10uF/10V/0805	Capacitor	C220, C222, C230, C324, C326, C328, C329, C330
8	1	10uF/35V/1206	Capacitor	C231
9	1	22R/0603	Resistor	R321
10	2	47uF/TA/6V3	Capacitor	C322, C323
11	1	56k/0603	Resistor	R233
12	1	68k/0603	Resistor	R340
13	1	100k/0603	Resistor	R234
14	12	100nF/0603	Capacitor	C200, C202, C223, C300, C320, C325, C327, C340, C341, C342, C343, C360
15	1	470nF/1206	Capacitor	C321
16	2	680R/0603	Resistor	R240, R301
17	1	54132-3562	Connector 54132-3562 Molex	X340
18	1	473340001	Connector 3M 2908-05WB-MG or Molex 047334001	X300
19	1	B340A-13-F	Diode B340A-13-F Diodes Inc.	V230
20	1	BSS209PW	IC BSS209PW Infineon technologies	Q300
21	1	HSEC8-140-01-S-RA	Connector HSEC8-140-01-S-RA Samtec	X200
22	1	IFX1763SJV33	IC IFX1763SJV33 Infineon Technologies	U220
23	8	LED-GE/D/0603	LED	V360, V361, V362, V363, V364, V365, V366, V367
24	3	LED-GN/D/0603	LED	V240, V241, V300
25	2	LED-RT/D/0603	LED	V250, V251
26	1	PCA9502	IC PCA9502BS NXP, HVQFN-24	U360
27	1	SJ1-42514-SMT	Connector SJ1-42514-SMT	X320
28	1	STOD2540	IC STOD2540PUR STMicro	U230

**Table 12 Standard Human Machine Interface Card BOM**

Sl. No.	Qty	Value	Device	Reference Designator
29	1	TLV320AIC3204	IC TLV320AIC3204 Texas Instruments	U320
30	1	VLS3015ET-4R7M	Inductor VLS3015ET-4R7M TDK	L230
31	1	no ass.	Crystal 3.3V 7x5mm SMD	Q320
32	3	no ass./0R/0603	Resistor	R223, R232, R344
33	2	no ass./2k2/0603	Resistor	R210, R211
34	2	no ass./10k/0603	Resistor	R250, R251
35	1	no ass./10nF/0603	Capacitor	C221
36	2	no ass.	Touchpad	TOUCH250, TOUCH251
37	12	no ass.	SMD-Pads	TP200, TP240, TP241, TP242, TP360, TP361, TP362, TP363, TP364, TP365, TP366, TP367

[www.infineon.com](http://www.infineon.com)

Published by Infineon Technologies AG