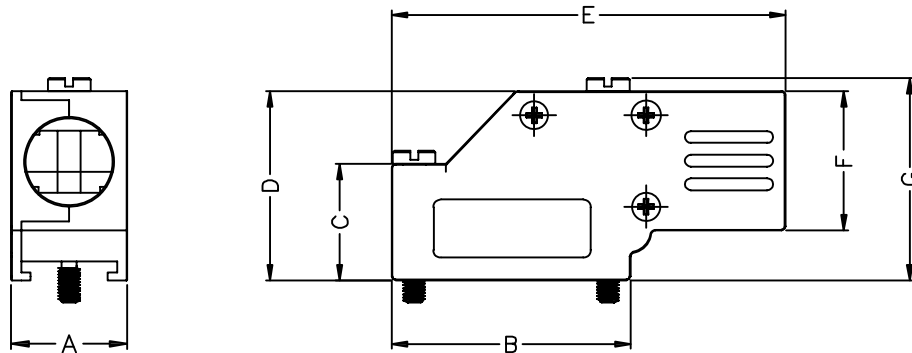


DESCRIPTION: D-SUB BACKSHELL - RIGHT ANGLE - 9 & 25 POSITION

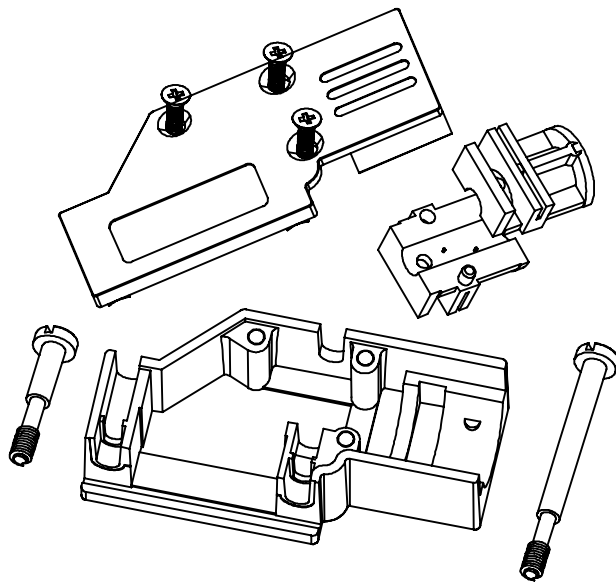


DIMENSIONS(mm/in)							
SIZE	A $\pm 0.120$ $\pm 0.047$	B $\pm 0.120$ $\pm 0.047$	C $\pm 0.80$ $\pm 0.031$	D $\pm 0.80$ $\pm 0.031$	E $\pm 0.80$ $\pm 0.031$	F $\pm 0.80$ $\pm 0.031$	G $\pm 0.80$ $\pm 0.031$
9	15.0	30.8	15.0	24.4	50.8	18.0	26.2
	0.59	1.21	0.59	0.96	2.0	0.71	1.03
25	15.8	53.3	23.1	34.5	72.4	24.3	36.6
	0.62	2.10	0.91	1.36	2.85	0.96	1.44

BACKSHELL KIT INCLUDES:

- (2) BACKSHELL HALVES
- (3) HOUSING SCREWS
- (1) 4-40 LONG THUMBSCREWS
- (1) 4-40 SHORT THUMBSCREWS
- (1) SET OF COMPRESSION INSERTS-VARIOUS SIZES  
DIAMETERS 0.157"(4mm), 0.167"(5mm), 0.276"(7mm), 0.354"(9mm)

BACKSHELL MATERIAL: DIE CAST ZINC ALLOY, NICKEL PLATED  
 4-40 THUMBSCREWS: STEEL, ZINC PLATED  
 HOUSING SCREWS: STEEL, ZINC PLATED  
 COMPRESSION INSERT: ABS, UL RECOGNIZED  
 OPERATING TEMP: -40°C TO +120°C



DO NOT SCALE FROM DRAWING



THESE DRAWINGS AND SPECIFICATIONS ARE THE PROPERTY OF NorComp AND SHALL NOT BE REPRODUCED, COPIED OR USED AS THE BASIS FOR THE MANUFACTURE OF SALE OF APPARATUS WITHOUT WRITTEN PERMISSION.

DRAWN: B. BRIDGES		DATE: 02-14-18	
CHECKED:		DATE:	
SCALE: NTS	SHEET 1	OF 1	REV 0
DWG NO.		962-YYY-030R121	

RoHS COMPLIANT

NorComp