

Specification	Products VISUAL LIGHT EMITTING DIODES	Type S L H - 5 6 V R 3 F
---------------	--	-----------------------------

1. TYPE NAME S L H - 5 6 V R 3 F
2. CONSTRUCTION GaAsP on GaP red Visual Light Emitting Diodes packaged with red diffused epoxy.
3. USAGE Power source for display unit.
4. DIMENSIONS See Figure 1

5. ABSOLUTE MAXIMUM RATINGS (Ta=25°C)

Power Dissipation	P_D	75 mW
Forward Current	I_F	25 mA
Peak Forward Current	I_{FP}	60 mA (notes 1)
Reverse Voltage	V_R	3 V
Operating Temperature	T_{opr}	-25°C ~ +85°C
Storage Temperature	T_{stg}	-30°C ~ +100°C

(notes 1 Duty 1/5 Pulse Width 1ms)

6. ELECTRO-OPTICAL CHARACTERISTICS (Ta=25°C)

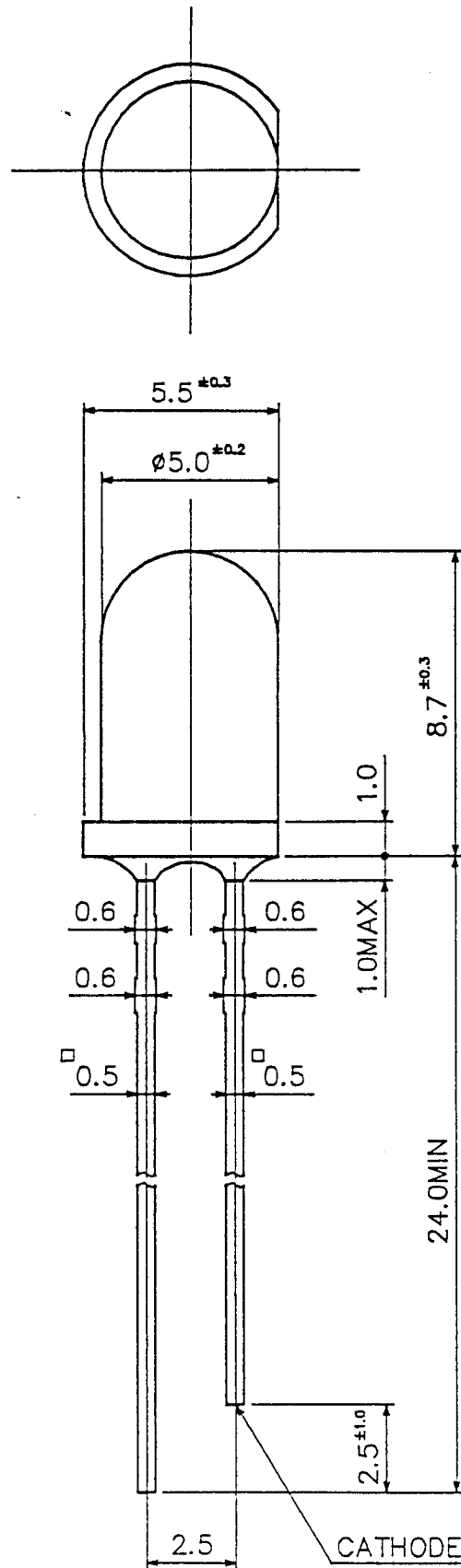
DESCRIPTION	SYMBOL	CONDITION	MIN	TYP	MAX	UNITS
Luminous Intensity	I_V	$I_F = 20mA$	13.5	47	—	mcd
Forward Voltage	V_F	$I_F = 20mA$	—	2.1	3.0	V
Reverse Current	I_R	$V_R = 3V$	—	—	10	μA
Peak Wave Length	λ_P	$I_F = 20mA$	—	650	—	nm
Spectral Line Half Width	$\Delta \lambda$	$I_F = 20mA$	—	40	—	nm
Input/Output Frequency	—	—	—	67.6	—	MHz

xc

According to Luminous Intensity value ROHM will specify under following rank.

ITEM	SPECIFICATION	ITEM	SPECIFICATION
X B	13.5 ~ 24	X E	42 ~ 75
X C	20 ~ 36	X F	61 ~ 110
X D	30 ~ 52	X G	90 ~ 165

Figure. 1



(Unit: mm)

Specification

Products

VISUAL LIGHT EMITTING DIODES

Type

S L H - 5 6 V R 3 F

7. IV CLASSIFICATION

ITEM	IV CLASSIFICATION
" P "	22 ~ 45 mcd
" Q "	36 ~ 71 mcd
" R "	56 ~ 110 mcd
" S "	90 ~ (180) mcd

IF=20mA

Due to luminous intensity up, Intensity might shift.

8. FACTORY OF ORIGIN

WAKO ELECTRIC CO., LTD. (OKAYAMA, JAPAN)

ROHM-WAKO SDN. BHD (MALAYSIA)

ROHM KOREA CORPORATION (KOREA)

9. WEIGHT

About 0.31 g per 1 piece

Specification	Products VISUAL LIGHT EMITTING DIODES	Type S L H - 5 6 V R 3 F
---------------	--	-----------------------------

1. TYPE NAME S L H - 5 6 V R 3 F
2. CONSTRUCTION GaAsP on GaP red Visual Light Emitting Diodes packaged with red diffused epoxy.
3. USAGE Power source for display unit.
4. DIMENSIONS See Figure 1

5. ABSOLUTE MAXIMUM RATINGS (Ta=25°C)

Power Dissipation	P_D	75 mW
Forward Current	I_F	25 mA
Peak Forward Current	I_{FP}	60 mA (notes 1)
Reverse Voltage	V_R	3 V
Operating Temperature	T_{opr}	-25°C ~ +85°C
Storage Temperature	T_{stg}	-30°C ~ +100°C

(notes 1 Duty 1/5 Pulse Width 1ms)

6. ELECTRO-OPTICAL CHARACTERISTICS (Ta=25°C)

DESCRIPTION	SYMBOL	CONDITION	MIN	TYP	MAX	UNITS
Luminous Intensity	I_V	$I_F = 20mA$	13.5	47	—	mcd
Forward Voltage	V_F	$I_F = 20mA$	—	2.1	3.0	V
Reverse Current	I_R	$V_R = 3V$	—	—	10	μA
Peak Wave Length	λ_P	$I_F = 20mA$	—	650	—	nm
Spectral Line Half Width	$\Delta \lambda$	$I_F = 20mA$	—	40	—	nm
Input/Output Frequency	—	—	—	67.6	—	MHz

x c

ROHM CO., LTD.

Design <i>T. Yamaguchi</i>	Approval <i>Y. Kato</i>	Specification No. SLH56VR - A 1	Date Mar. 20/95
-------------------------------	----------------------------	---	--------------------