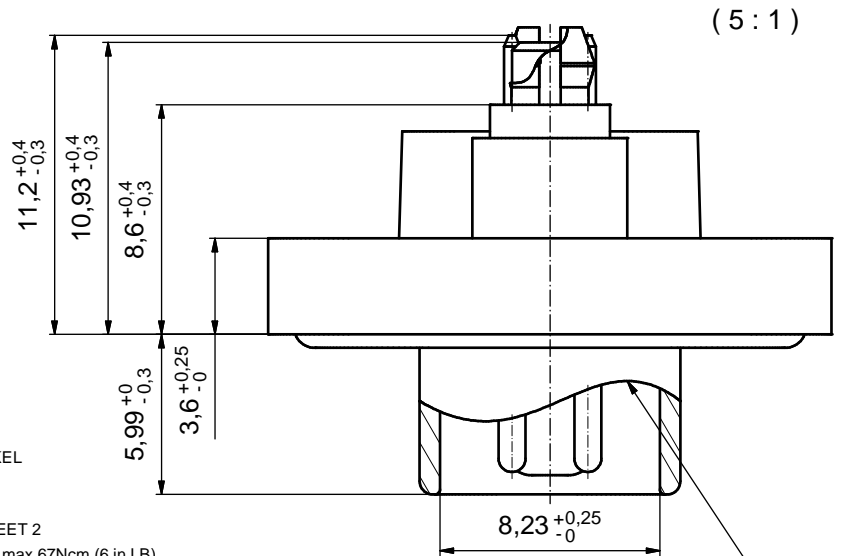
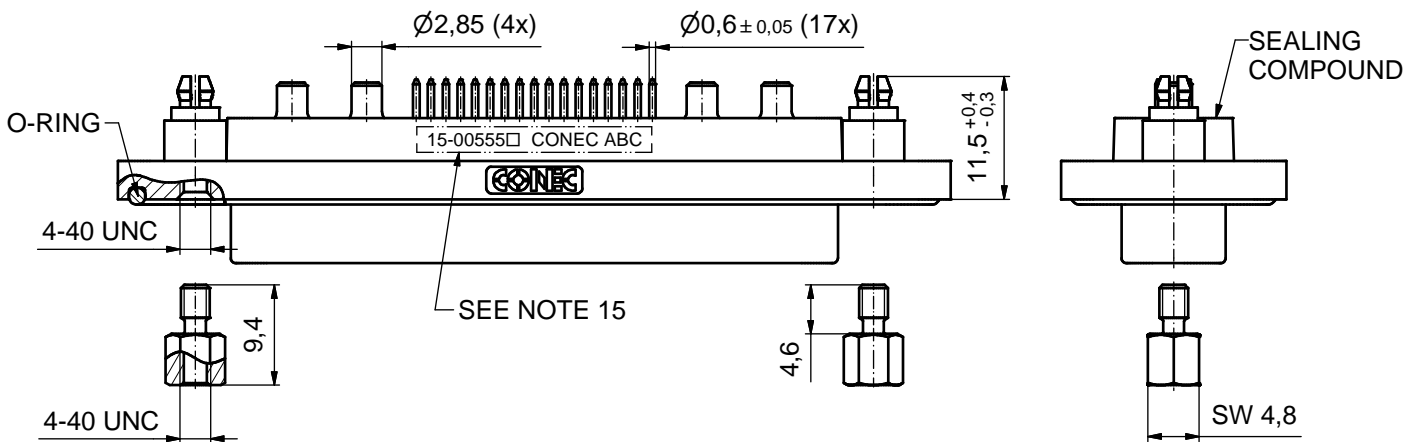
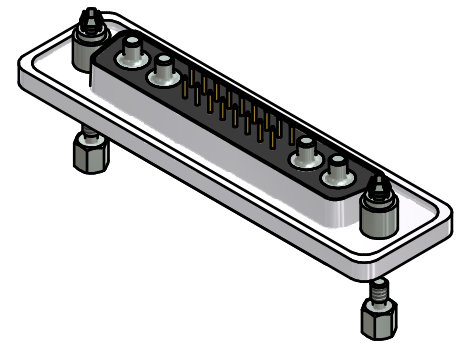
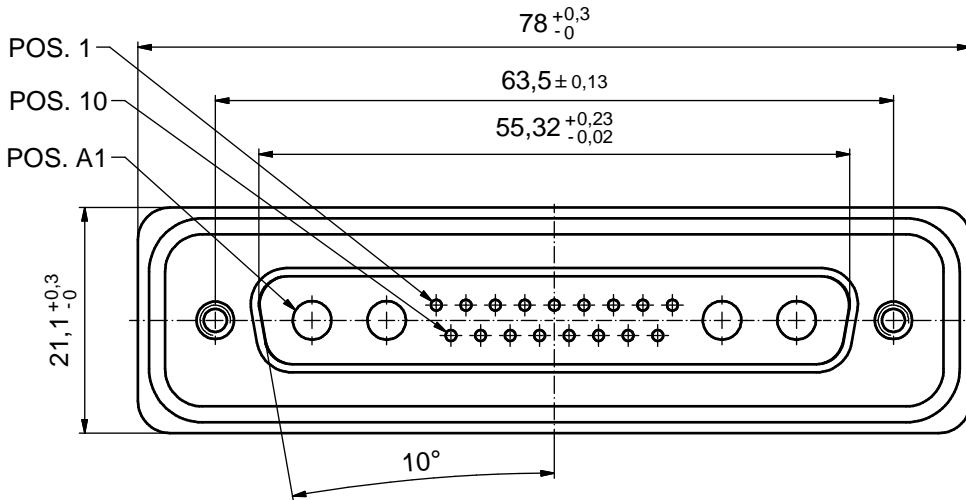


NOTES:

1. FOR WAVESOLDERING (SOLDER BATH TEMPERATURE 265°C FOR 8 SEC. AND SOLDER PREHEAT 150°C FOR 180 SEC.)
2. IP RATING: IP67
3. SEALED TO WITHSTAND PRESSURE UP TO 1,45 PSI FOR 30 MINUTES AFTER HIGH TEMPERATURE EXPOSURE
4. METAL SHELL: ZINC DIE CAST;  
min. 50µin NICKEL PLATING over COPPER
5. INSULATORS: PBT GF UL 94 V-0; GREEN
6. O-RING: SILICONE PER ASTM D2000 70 SHORE A
7. RUBBER GASKET: TPE; BLACK
8. SEALING COMPOUND: EPOXY RESIN UL 94 V-0; BLACK
9. SIGNAL CONTACTS: COPPER ALLOY;  
PLATING (SEE PART NO.):  
30µin HARD GOLD over min. 50µin NICKEL if 1□ in PART NO.  
GOLD FLASH over NICKEL if 3□ in PART NO.
10. HIGH POWER CONTACTS 20A: COPPER ALLOY;  
PLATING, MATING SIDE (SEE PART NO.):  
□ PLEASE ADD 1 for 30µin HARD GOLD over min. 50µin NICKEL  
□ PLEASE ADD 3 for GOLD FLASH over NICKEL  
PLATING, TERMINATION SIDE: 160-240µin TIN over 80µin NICKEL
11. REAR SPACER CLIPS: COPPER ALLOY; min. 200µin TIN over 80µin NICKEL  
PCB HOLE:  $\varnothing 3,1 \pm 0,1$ ; PCB THICKNESS 1,6mm
12. HEXLOCKING SCREWS: STAINLESS STEEL
13. P.C.B. HOLE DRILLINGS and RECOMMENDED PANEL CUT-OUT ON SHEET 2
14. RECOMMENDED TORQUE FOR MOUNTING SCREW 35Ncm (3.1 in.LB) / max.67Ncm (6 in.LB)
15. CONNECTOR IS PART MARKED: 15-00555□ CONEC ABC



RUBBER GASKET  
PLACED ON TOP SURFACE  
OF MALE INSULATOR

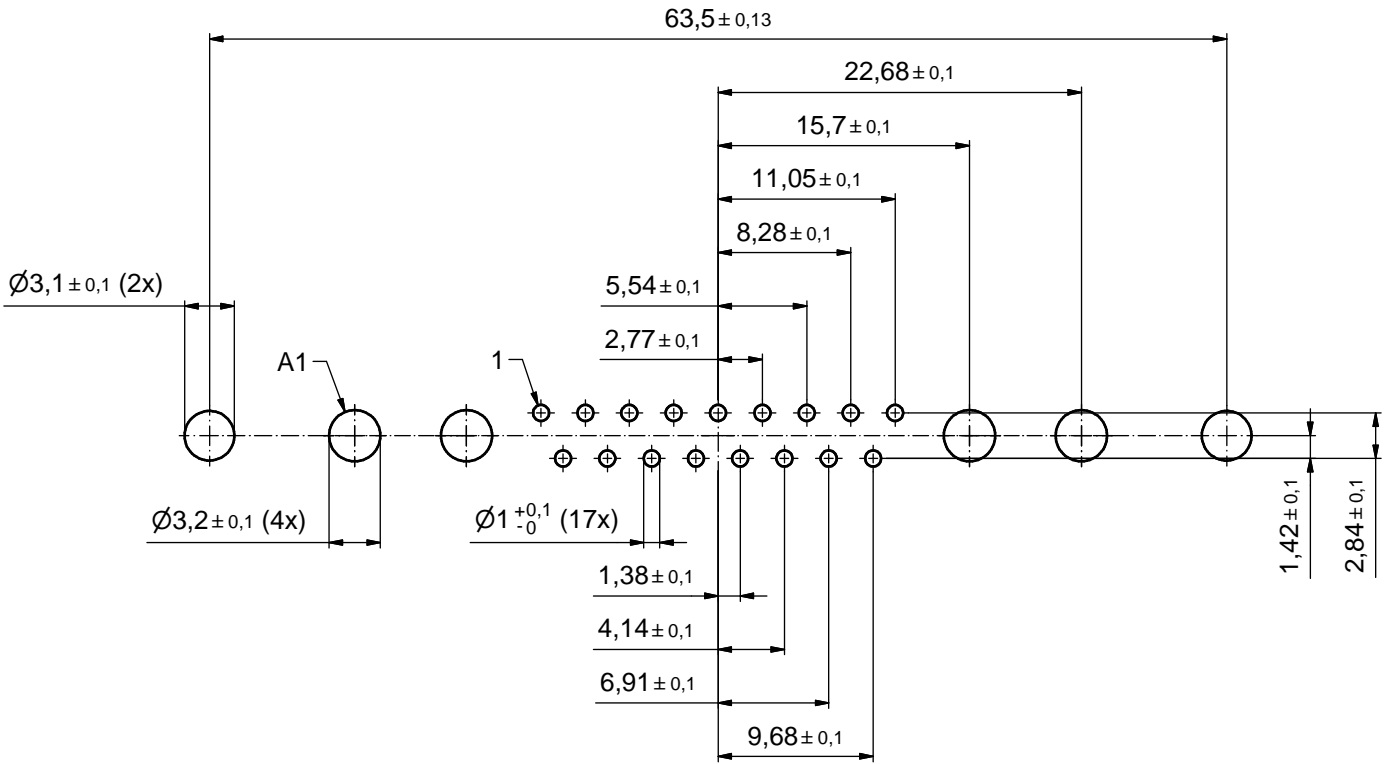


Directive 2002/95/EC RoHS compliant

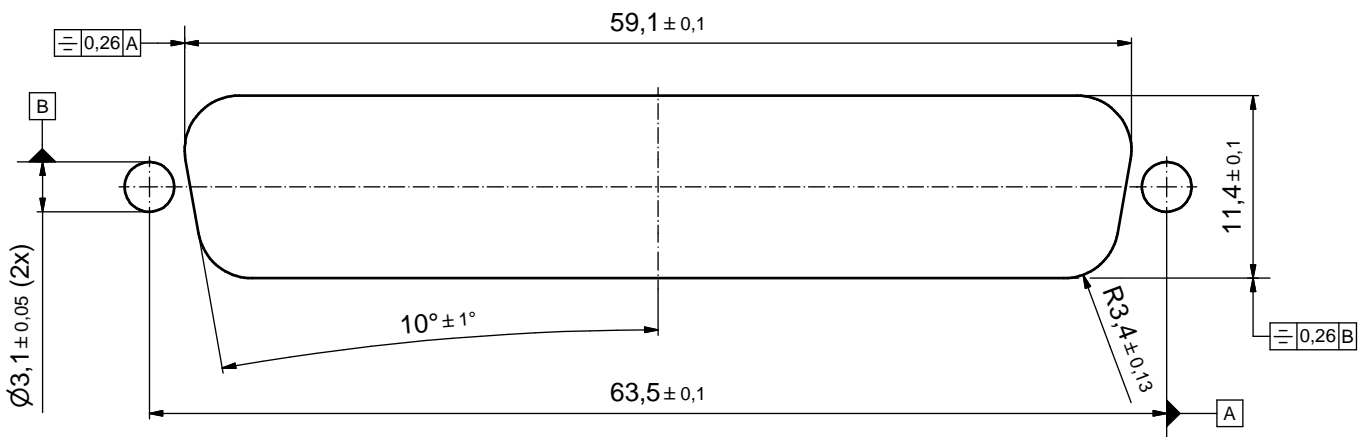
THIS DRAWING MAY NOT BE COPIED OR REPRODUCED IN ANY WAY, AND MAY NOT BE PASSED ON TO A THIRD PARTY WITHOUT WRITTEN PERMISSION. OWNERSHIP AND COPYRIGHT OF CONEC GmbH DO NOT ALTER CAD DRAWING BY HAND	tolerance		dim. in mm	scale: 2:1 (5:1)		
				material: see notes		
	drawn	19.12.13	Schmidt	title: <b>D-SUB COMBINATION MALE</b> 21WA4P with rear spacer clip and hexlocking screw		
	appd.	19.12.13	Lehmenkühler			
	norm					
d-old			dwg no:		DIN-A3	
a	Original		15K1A1402		sh: 1	
rev.	description	date	part no: 15-00555□ (see note 10)			



P.C.B. HOLE DRILLINGS  
(P.C.B. TOP SIDE)



RECOMMENDED PANEL CUT-OUT



THIS DRAWING MAY NOT BE COPIED OR REPRODUCED IN ANY WAY, AND MAY NOT BE PASSED ON TO A THIRD PARTY WITHOUT WRITTEN PERMISSION. OWNERSHIP AND COPYRIGHT OF CONEC GmbH  DO NOT ALTER CAD DRAWING BY HAND				tolerance		scale: 3:1
				dim. in mm		material: see sheet 1
	drawn	19.12.13	Schmidt	title: P.C.B. HOLE DRILLINGS PANEL CUT-OUT D-SUB Combination Male 21WA4P		
	appd.	19.12.13	Lehmenkühler			
	norm			dwg no:		
d-old			15K1A1402		DIN-A3	
rev. a	Original		<b>CONEC</b> <sup>®</sup>		sh: 2	
description					part no: see sheet 1	